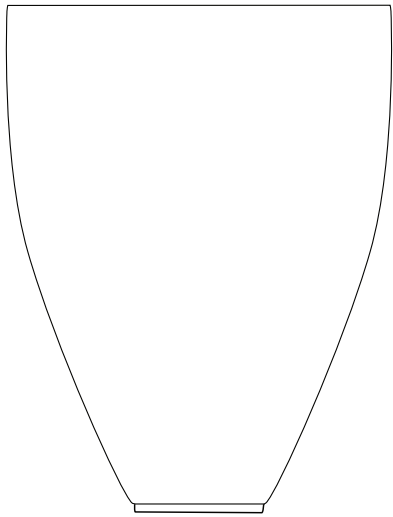


CONTENTS

Valo



Wago Connector (2)



Wago Connector (2)



(x2) Long 8-32 screw
On 240V fixtures only



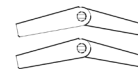
(x2) Wood screw
On 240V fixtures only



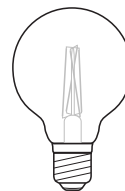
(x2) Metal screw
On 240V fixtures only



(x2) Toggle anchor
On 240V fixtures only



Bulb



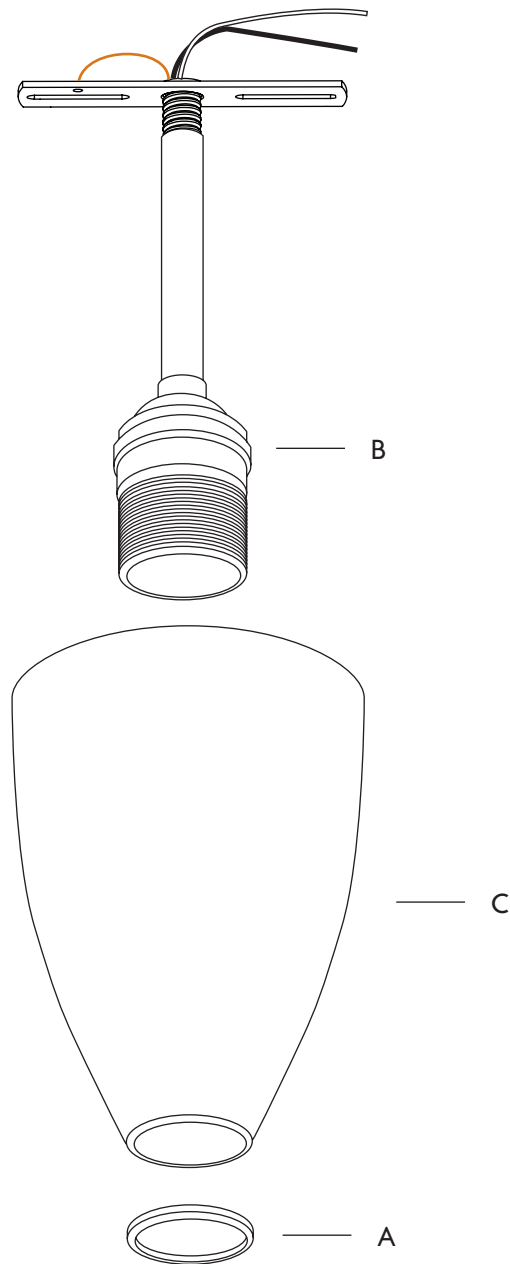
SAFETY INFORMATION

Only one light bulb per socket.
Only suitable for direct mounting on non-combustible surfaces.
Under no circumstances can Valo be mounted on normally flammable surfaces.
Suitable for dry, indoor use only.
Maximum ambient temperatures: 25° C

WALL INSTALLATION | VALO

Note: Please contact a licensed electrician.

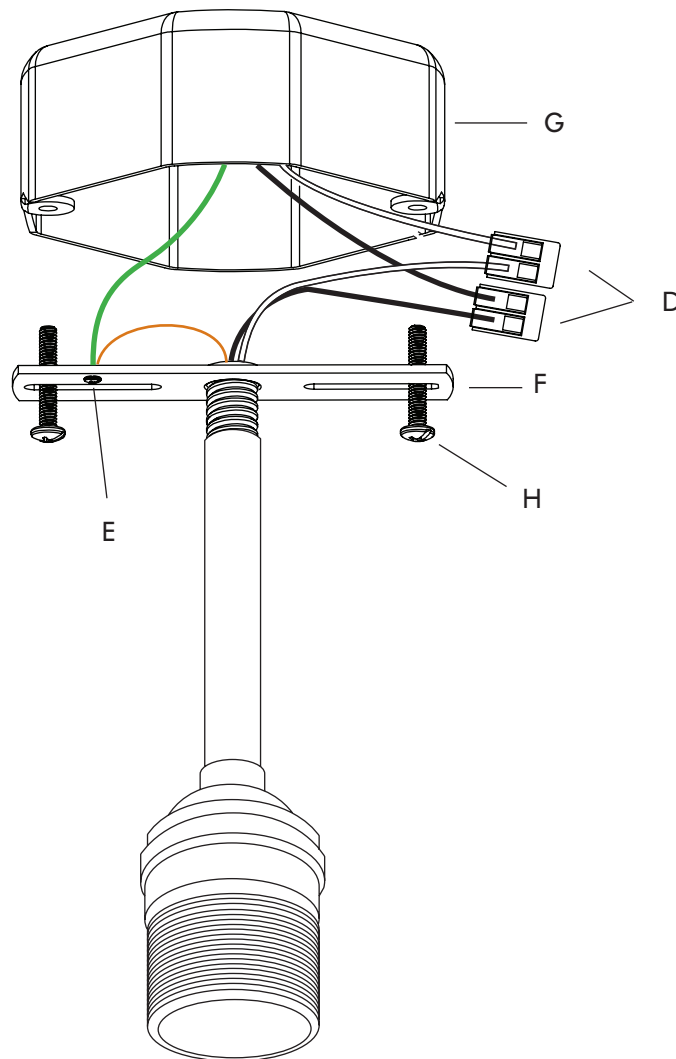
1. Start with unscrewing the canopy nut (A) to release the internal assembly (B) from the canopy (C).



WALL INSTALLATION | VALO

Note: Please contact a licensed electrician.

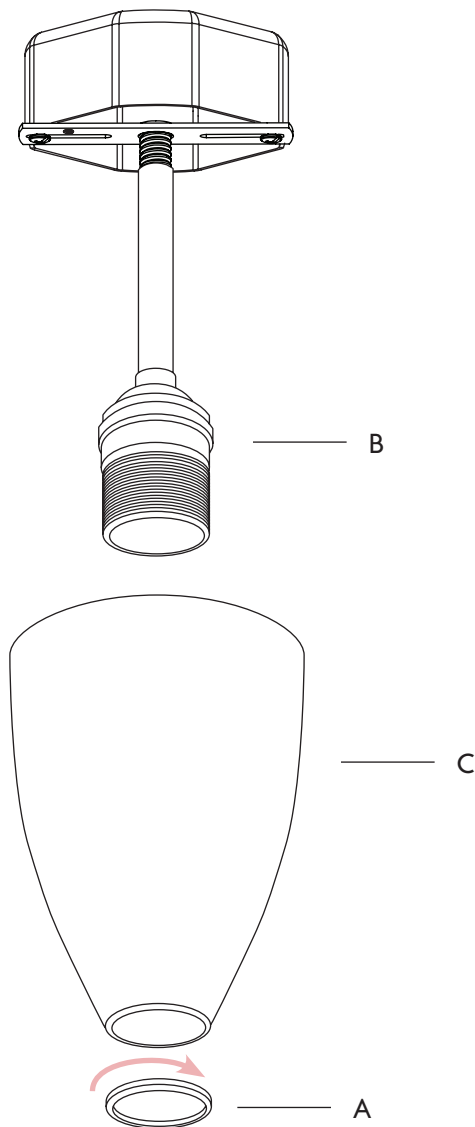
2. Connect the lead wires from the j-box to the fixture wires with provided 2 port wagos (D).
3. Connect the ground wire to the crossbar using the grounding screw (E).
4. Mount the crossbar (F) onto J-box (G), and secure it with two screws (H).



WALL INSTALLATION | VALO

Note: Please contact a licensed electrician.

5. Raise the canopy (C) over the internal assembly (B), and secure it with canopy nut (A).
Be sure to tuck all wires inside.



BULB INSTALLATION

Note: Please contact a licensed electrician.

1. Screw in the included LED bulb (A) into the socket (B) in a clockwise direction.

