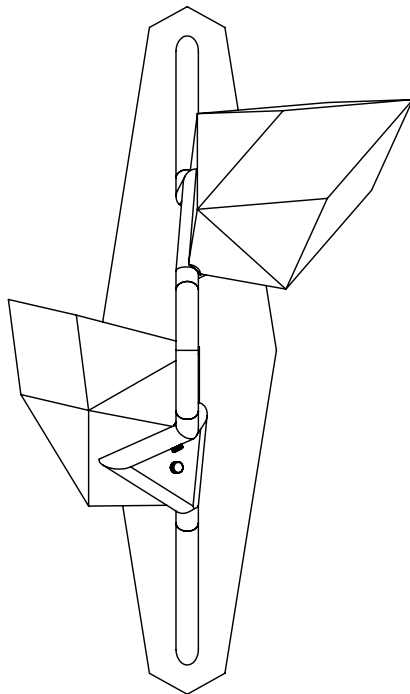


CONTENTS

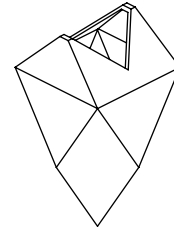
Seed Sconce



Crossbar



Seed Glass (2)



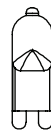
8-32 Crossbar
Screws (2)



Thumb Screws (2)



Bulbs (2)



20-Watt G9
Halogen

Glass Screws (4)



SAFETY INFORMATION

Only one light bulb per socket.

Only suitable for direct mounting on non-combustible surfaces.

Under no circumstances can Seed Fixtures be mounted on normally flammable surfaces.

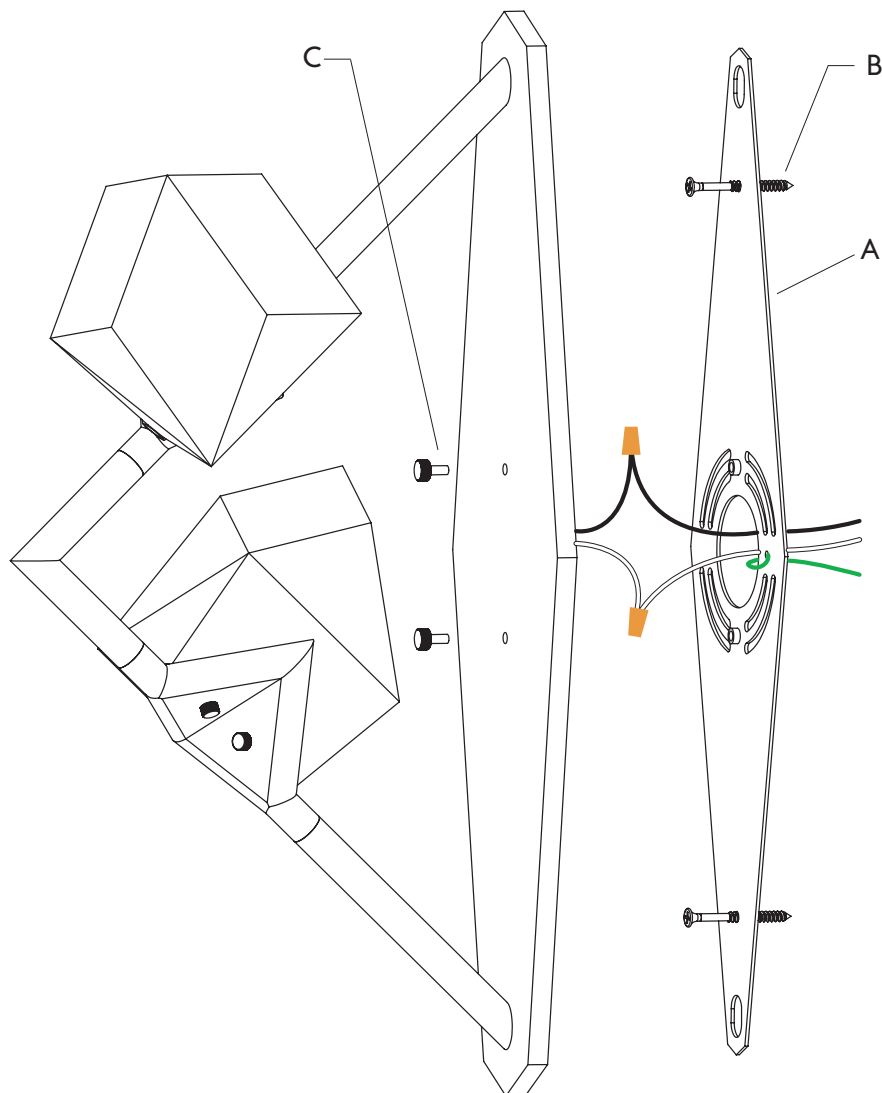
Suitable for dry, indoor use only.

Maximum ambient temperatures: 25° C

WALL INSTALLATION | SEED SCONCE

*Note: Please contact a licensed electrician.
Note: Do not use bulbs that exceed 20 watts.*

1. Detach custom crossbar (A) and mount to junction box in wall with provided 8-32 machine screws. Align top and bottom holes of crossbar vertically and secure to wall with wood screws (B).
2. Pull lead wires from junction box through center hole of crossbar. Make electrical connections while carefully holding the fixture. Attach green ground wire to crossbar ground screw. Push connectors back through center hole to store in junction box.
3. Align fixture to crossbar and secure with two provided thumb screws (C).



INSTALLATION | ATTACHING SEED GLASS

Note: Please contact a licensed electrician.

Note: Do not use bulbs that exceed 20 watts.

1. Carefully position seed glass on frame. Attach by gently tightening provided thumb screws through two holes in frame to the threaded glass insert. Make sure glass is secure before releasing.
2. To replace halogen bulbs, support glass and remove two thumb screws. Pull bulb out of socket and replace by pushing replacement in. Repeat step 1 to replace seed glass.

