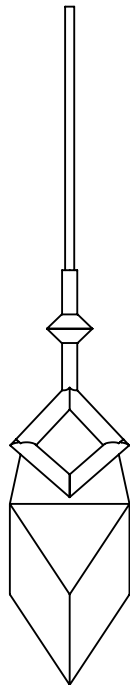
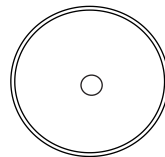


CONTENTS

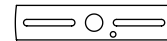
Seed Single Pendant



Canopy



Crossbar



Glass Screws (2)



8-32 Screws (2)

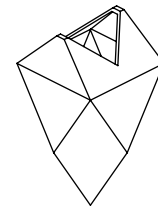


Bulb



20-Watt G9
Halogen

Seed Glass



SAFETY INFORMATION

Only one light bulb per socket.

Only suitable for direct mounting on non-combustible surfaces.

Under no circumstances can Seed Fixtures be mounted on normally flammable surfaces.

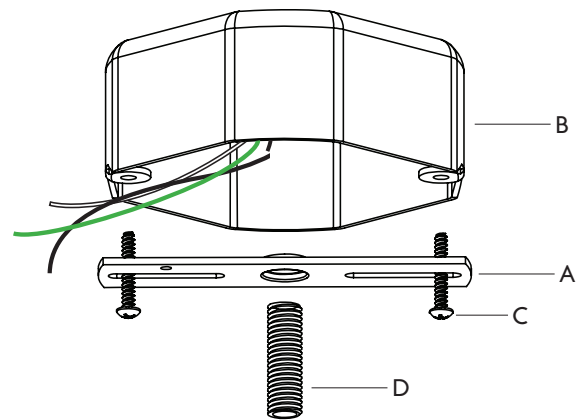
Suitable for dry, indoor use only.

Maximum ambient temperatures: 25° C

CEILING INSTALLATION

*Note: Please contact a licensed electrician.
Note: Do not use bulbs that exceed 60 watts.*

1. Install crossbar (A) to junction box (B) using #8-32 screws (C). It is recommended to pull the main wires out so they are accessible while making the main connection later. Once secure, screw the nipple (D) into crossbar.



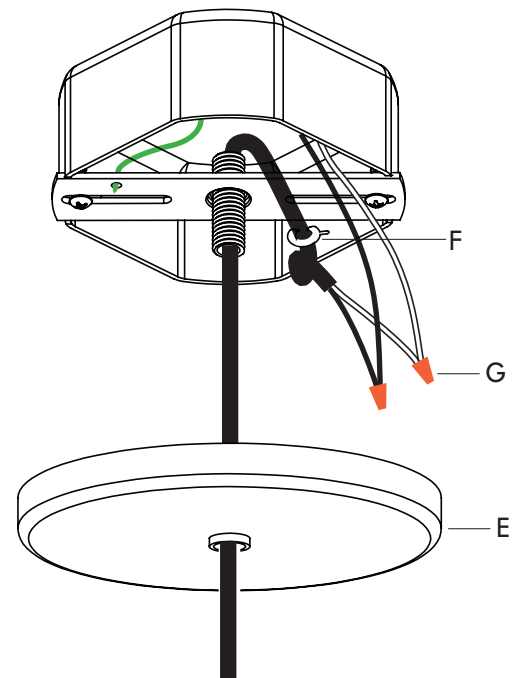
2. Cut the electrical cable to desired length and feed through the bushing in the ceiling canopy (E) and the nipple.

3. Tie a knot in the electrical cable above the crossbar and crimp the C shaped strain relief (F) just below the knot.

4. Strip wires and make connections to the leads in the ceiling using provided wire nuts (G). Attach the green ground wire to the crossbar with ground screw.

5. Tuck the connected wires into the junction box. Raise the canopy with attached knurled nut and thread onto nipple, tightening flush to the ceiling.

6. Make sure fixture is powered off before screwing the bulb into the socket.



INSTALLATION | ATTACHING SEED GLASS

Note: Please contact a licensed electrician.

Note: Do not use bulbs that exceed 20 watts.

1. Carefully position seed glass on frame. Attach by gently tightening provided thumb screws through two holes in frame to the threaded glass insert. Make sure glass is secure before releasing.
2. To replace halogen bulbs, support glass and remove two thumb screws. Pull bulb out of socket and replace by pushing replacement in. Repeat step 1 to replace seed glass.

