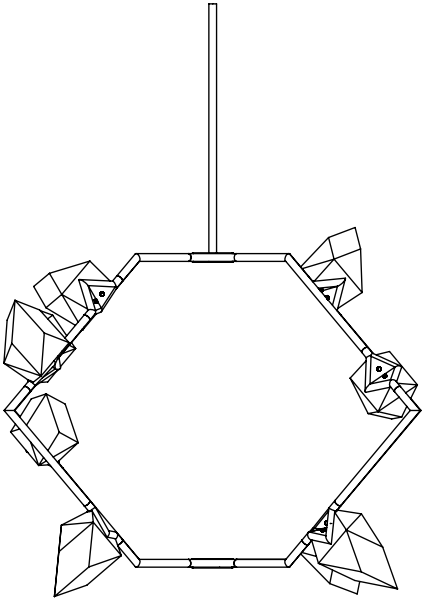
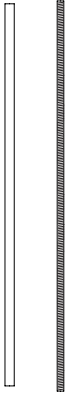
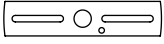


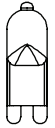
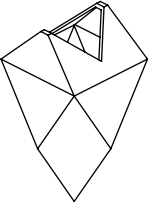
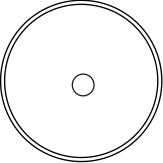



## CONTENTS

<p>Seed 01 Chandelier</p> 		<p>Stem and Threaded Tube</p> 	<p>Crossbar</p> 
		<p>8-32 Screws (2)</p> 	<p>Glass Screws (18)</p> 
<p>Bulbs (9)</p>  <p>20-Watt G9 Halogen</p>	<p>Seed Glass (9)</p> 	<p>Canopy</p> 	<p>1/4 IPS Nipple</p> 

## SAFETY INFORMATION

Only one light bulb per socket.  
 Only suitable for direct mounting on non-combustible surfaces.  
 Under no circumstances can Seed Fixtures be mounted on normally flammable surfaces.  
 Suitable for dry, indoor use only.  
 Maximum ambient temperatures: 25° C

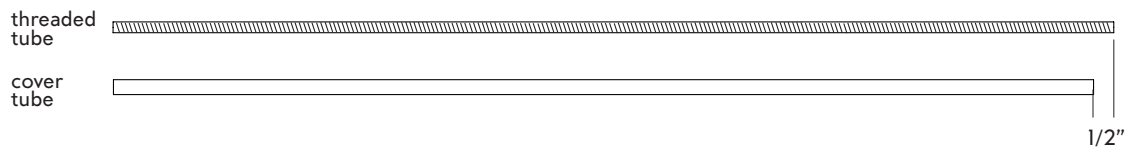
## CEILING INSTALLATION | SEED 01

---

*Note: Please contact a licensed electrician.*

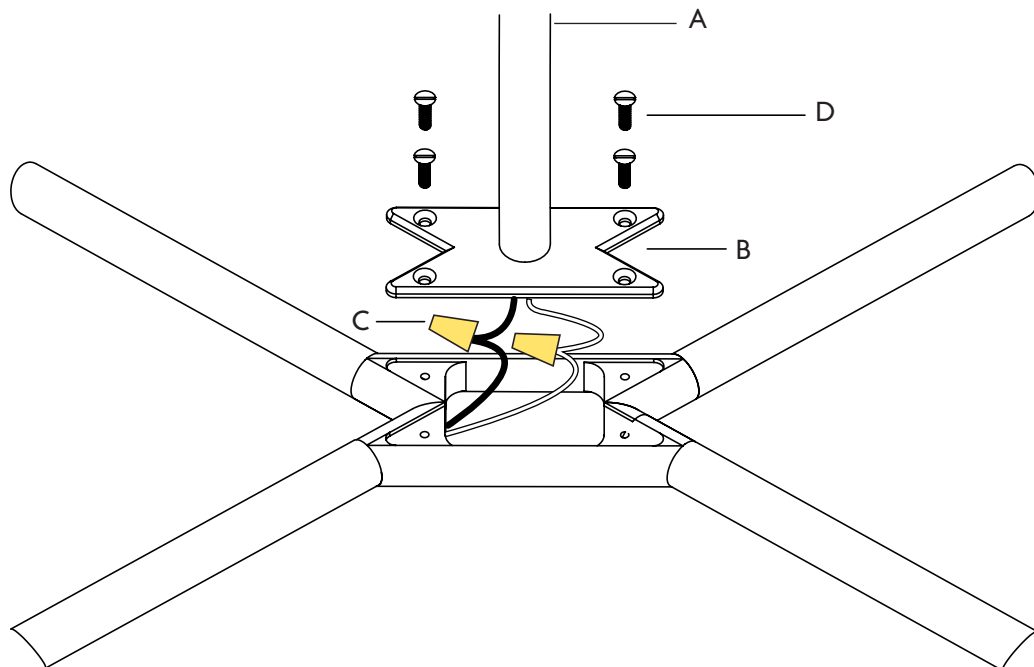
*Note: Do not use bulbs that exceed 20 watts.*

1. To customize the length of the provided 36-inch stem, cut cover tube to desired length. Then cut the inner threaded tube so that it remains 1/2" longer than the cover tube.



2. Attach threaded rod to hub cap (B) of fixture by screwing a quarter inch into the center hole. Slide cover tube (A) over threaded tube. Feed spare wire down the cover tube to make connections to the fixture lead wires (C).

3. Enclose wire connections in hub by screwing cap onto hub with provided 6-32 screws (D).



## CEILING INSTALLATION | SEED 01

4. Detach nut (E) from hangstraight (A) and slide down cover tube, followed by the canopy (D). These will hang loosely until further steps.

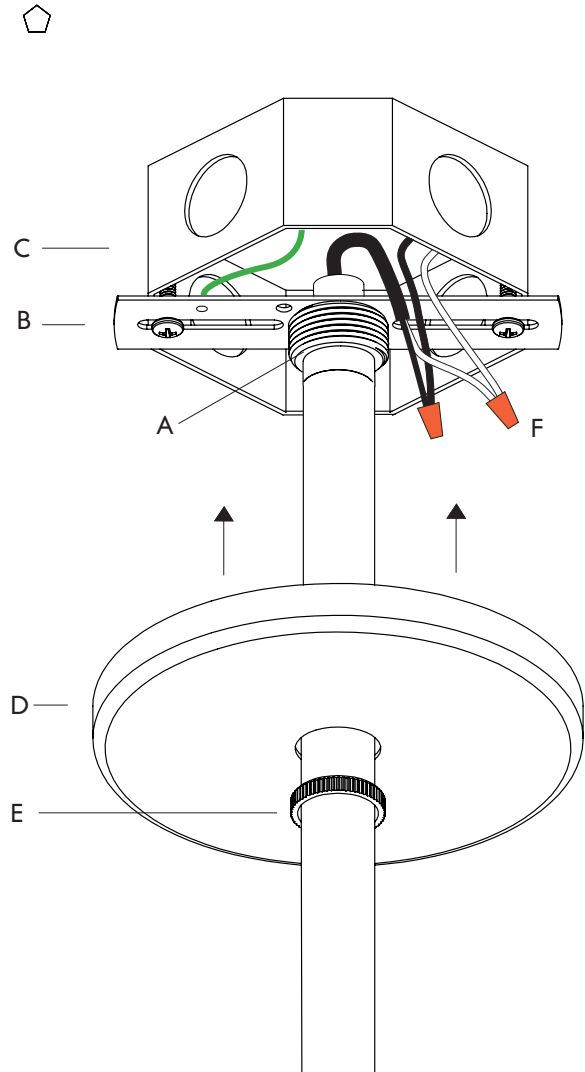
5. Thread the hangstraight on top of the threaded rod until cover tube is held tight. Thread the 1/4 IPS nipple into the top of the hangstraight.

6. Thread the crossbar (B) on top of the hangstraight over the 1/4 IPS nipple.

7. Install crossbar to junction box (C) using provided 8-32 machine screws.

8. Make lead wire connections (F) and tuck into junction box. Connect the green ground wire to the crossbar ground screw.

9. Raise the canopy (D) and the hang-straight nut (E) to the ceiling. Thread the nut onto the hangstraight, tightening the canopy flush to the ceiling.



## INSTALLATION | ATTACHING SEED GLASS

---

*Note: Please contact a licensed electrician.*

*Note: Do not use bulbs that exceed 20 watts.*

1. Carefully position seed glass on frame. Attach by gently tightening provided thumb screws through two holes in frame to the threaded glass insert. Make sure glass is secure before releasing.
2. To replace halogen bulbs, support glass and remove two thumb screws. Pull bulb out of socket and replace by pushing replacement in. Repeat step 1 to replace seed glass.

