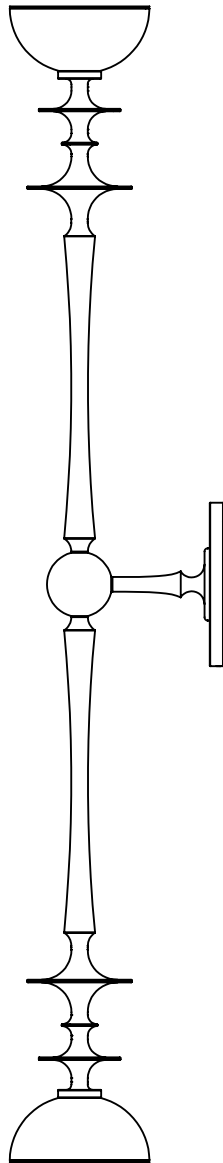


CONTENTS

21MAR2023

Rue Sala Sconce 2 Assembly



(x2) 8-32 J box Screw



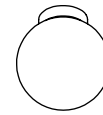
(x5) Wago Connector 2



8-32 Set Screw



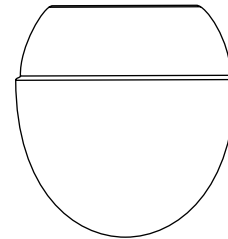
(2x) GLSS-256 - 2" Diffuser



Hex Key



(2x) Glass



LED driver



SAFETY INFORMATION

Suitable for dry, indoor use only.

Maximum ambient temperature: 25°C

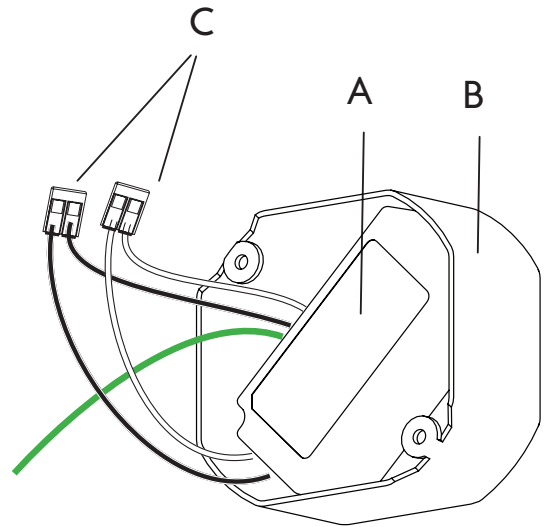
The light source contained in this luminaire shall only be replaced by the manufacturer or his service agent or a similar qualified person.

RUE SALA SCONCE 2 | INSTALLATION

21MAR2023

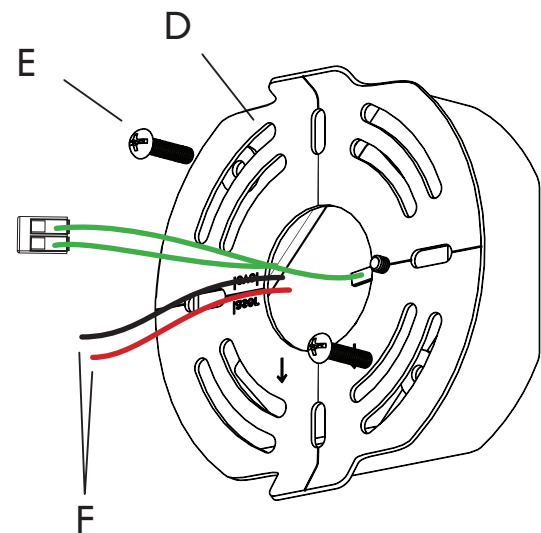
Note: Please contact a licensed electrician.

1. Install the driver (A) into the junction box (B) and connect the live wire connections (C) to the driver using the wago connectors.



2. Ground the crossbar (D) to the junction box using the wago connector. Mount the crossbar to the junction box using the provided #8-32 screws (E).

3. Pull the output driver wires (F).

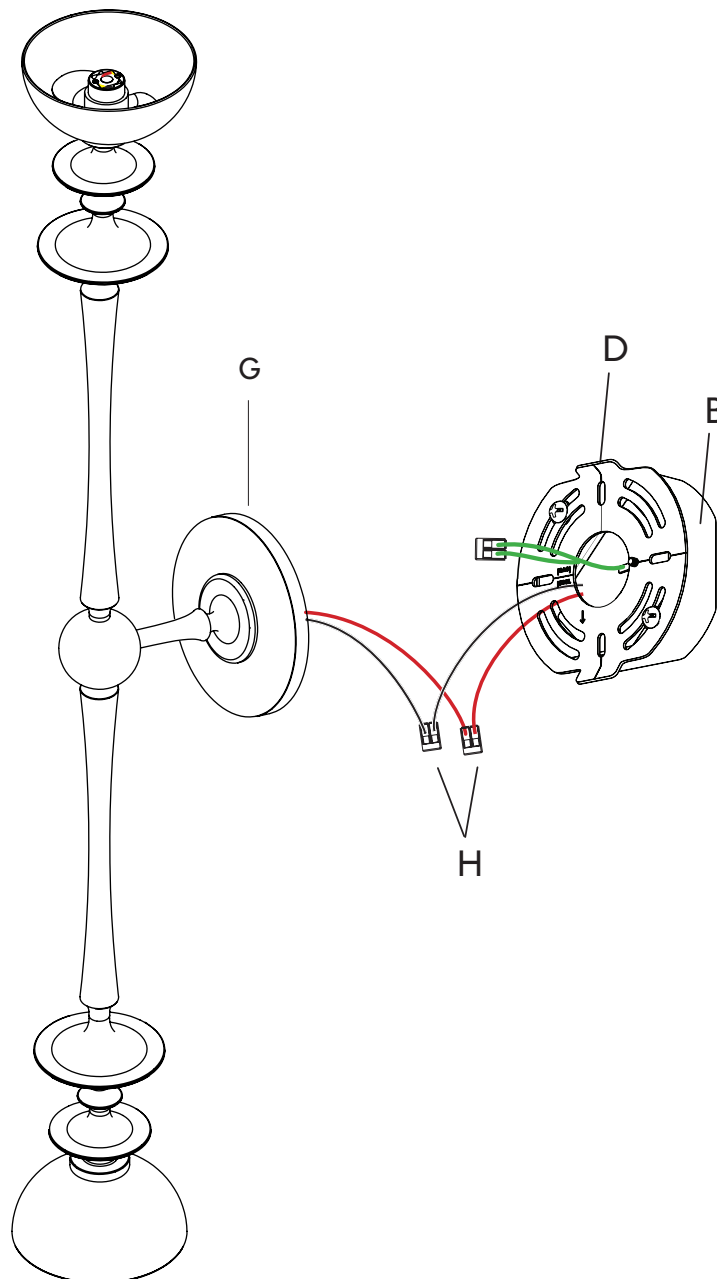


RUE SALA SCONCE 2 | INSTALLATION

21MAR2023

Note: Please contact a licensed electrician.

- Carefully hold fixture (G) to crossbar (D) and make secondary wire (H) connections. Push wire connectors back through center hole of crossbar into junction box (B).

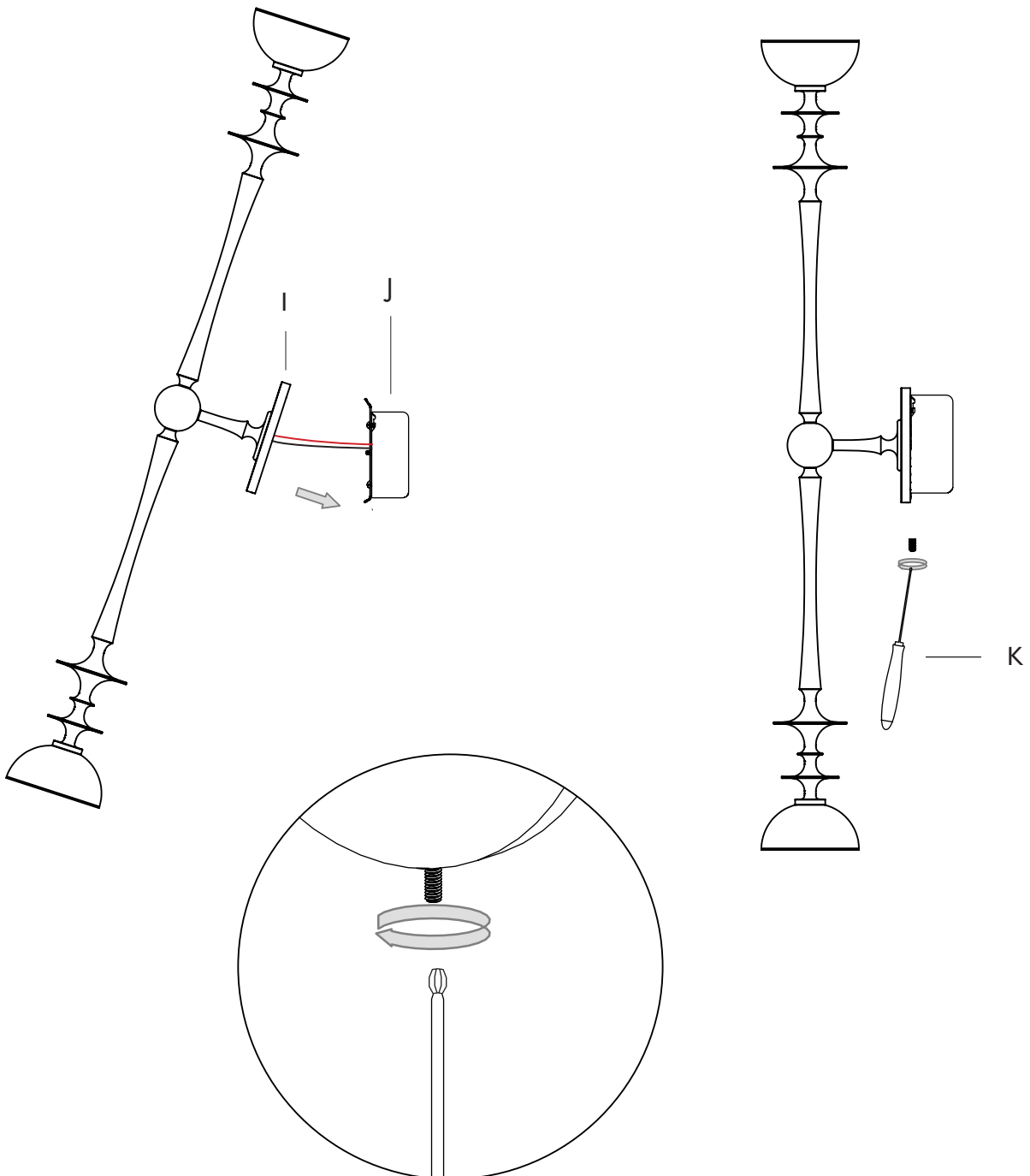


RUE SALA SCONCE 2 | INSTALLATION

21MAR2023

Note: Please contact a licensed electrician.

5. Tuck all the wire connections inside the junction box and hook the fixture backplate (I) onto the french cleat of the crossbar (J). Once the fixture assembly is resting in place, use the provided Hex Key (K) to tight the bottom set screw to the crossbar until the backplate is secured.

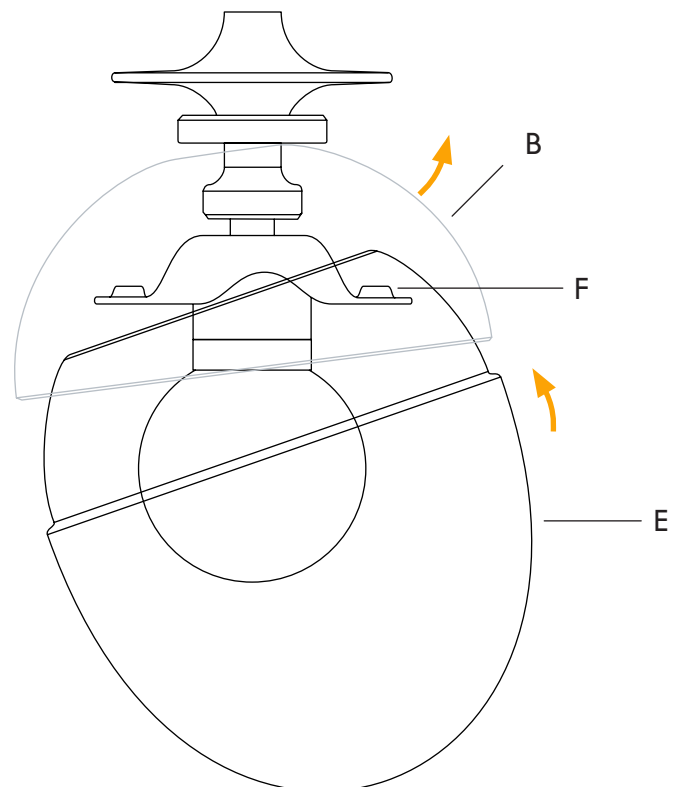
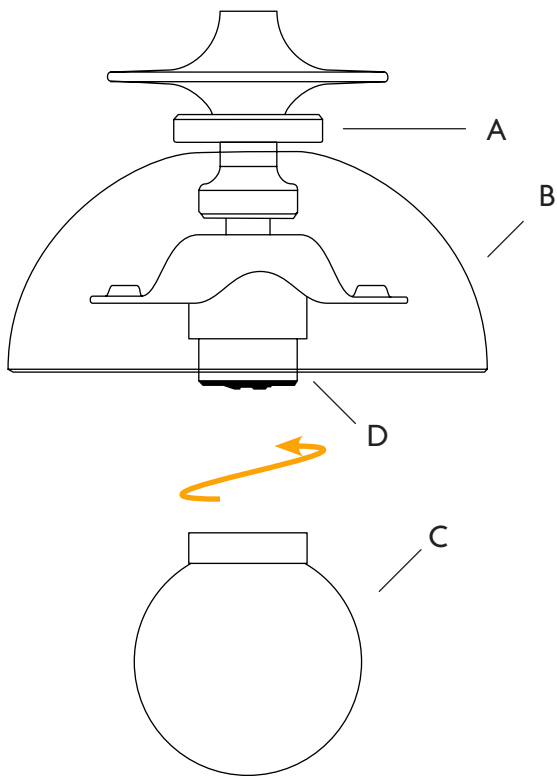


RUE SALA SCONCE 2 | INSTALLATION

21MAR2023

Glass installation

1. Unscrew the threaded collar (A) to loosen the shade (B).
2. Screw on the 2" diffuser (C) onto the LED cup (D).
3. Raise the shade (B) and tilt it at a slight angle to give extra working space, Next, fit the glass (E) at an angle over the 2" diffuser, rest the glass on the rubber pads (F).



Glass installation

4. Once the glass (E) is resting evenly on the rubber pads (F), lower the shade (B) over the glass, and secure it in place with a threaded collar (A).
5. Repeat glass installation as needed.

