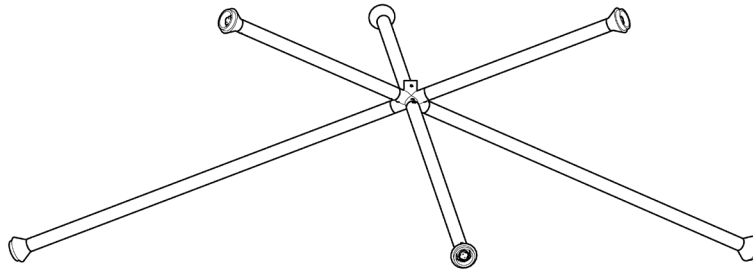



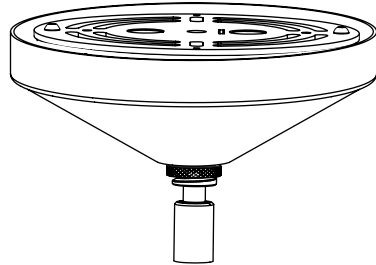


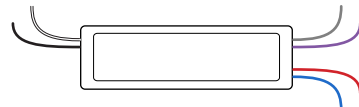
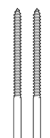


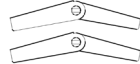


CONTENTS

(x1) NOVA 6 Lighting Assembly



<p>(x1) Threaded tube</p> 	<p>(x1) Cover tube</p> 	<p>(x6) Glass</p> 	<p>(x1) Canopy with Crossbar assembly</p> 		
		<p>(x2) 8-32 Screw</p> 	<p>(x3) Wago Connector</p> 	<p>(x1) Driver</p> 	
		<p>(x2) Wood screw On 240V fixtures only</p> 	<p>(x2) Long 8-32 screw On 240V fixtures only</p> 	<p>(x2) Metal screw On 240V fixtures only</p> 	<p>(x2) Toggle anchor On 240V fixtures only</p> 

SAFETY INFORMATION

Suitable for damp locations
Maximum ambient temperature: 25°C

Stem and cover tube length adjustment

Note: Please contact a licensed electrician.

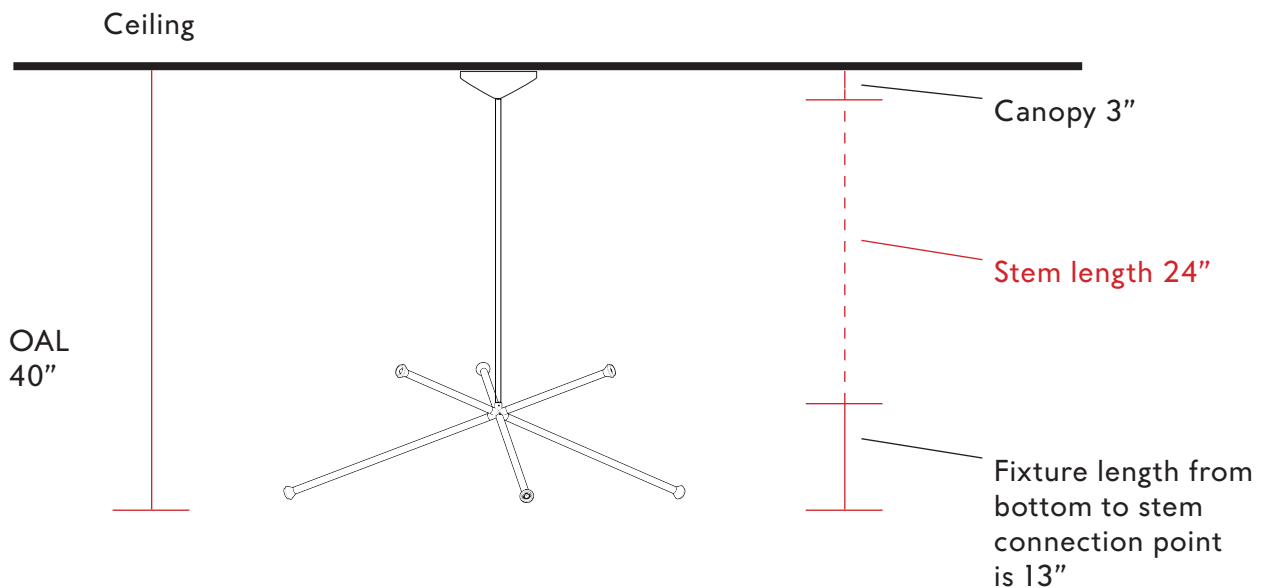
Example fixture only:

To measure length of stem, first determine overall length (OAL), subtract 3" for the canopy height and subtract the fixture height from the OAL. Fixture height is measured from bottom of the fixture to stem connection point.

The resulting measurement is the final stem length.

Ex. The fixture below has an OAL of 40" and a fixture height of 13".

$40'' \text{ OAL} - 3'' \text{ canopy} - 13'' \text{ fixture height} = 24'' \text{ stem}$

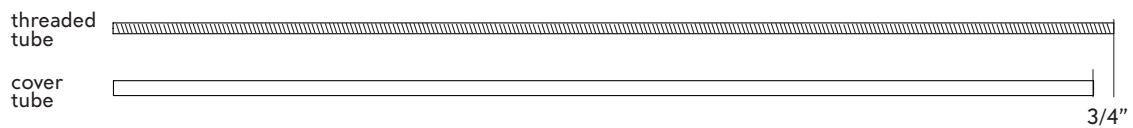


Stem and cover tube length adjustment

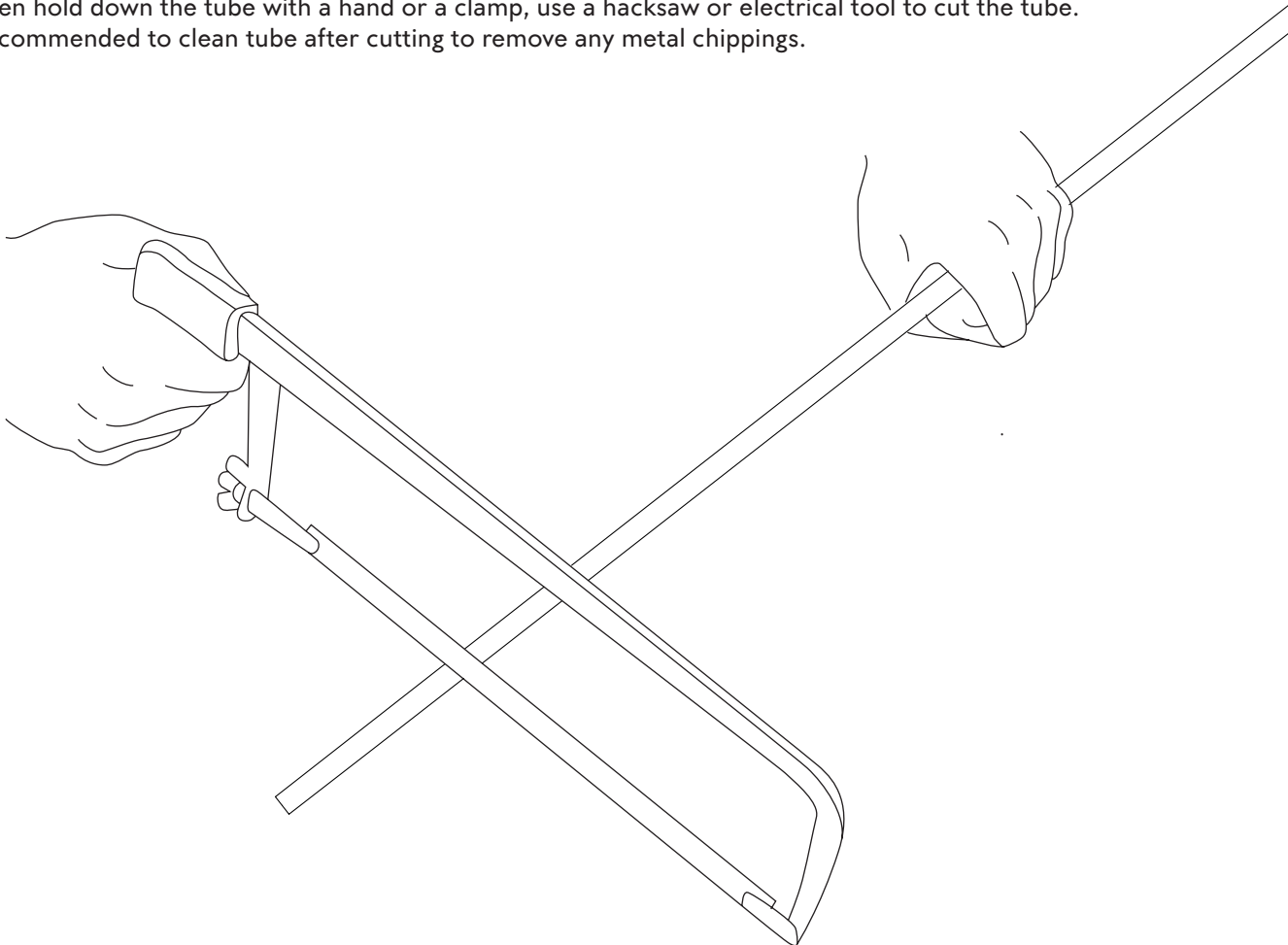
Note: Please contact a licensed electrician.

Example fixture only:

1. To customize the length of the provided stem, cut cover tube to desired length.
Then cut the inner threaded tube so that it remains 3/4" longer than the cover tube.



2. Mark the length of the tube required, using a marker or tape.
Then hold down the tube with a hand or a clamp, use a hacksaw or electrical tool to cut the tube.
Recommended to clean tube after cutting to remove any metal chippings.

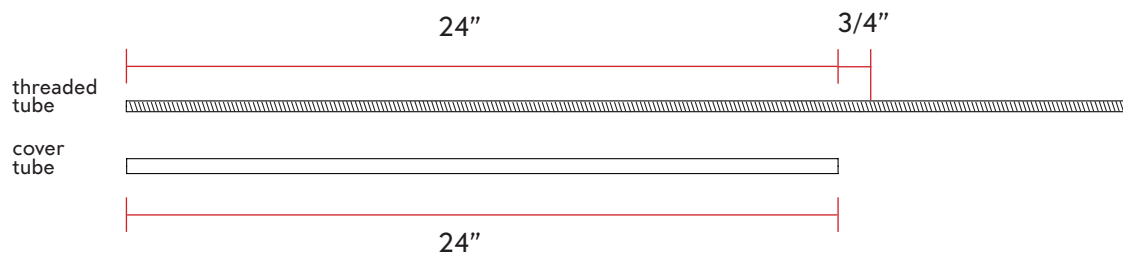


Stem and cover tube length adjustment

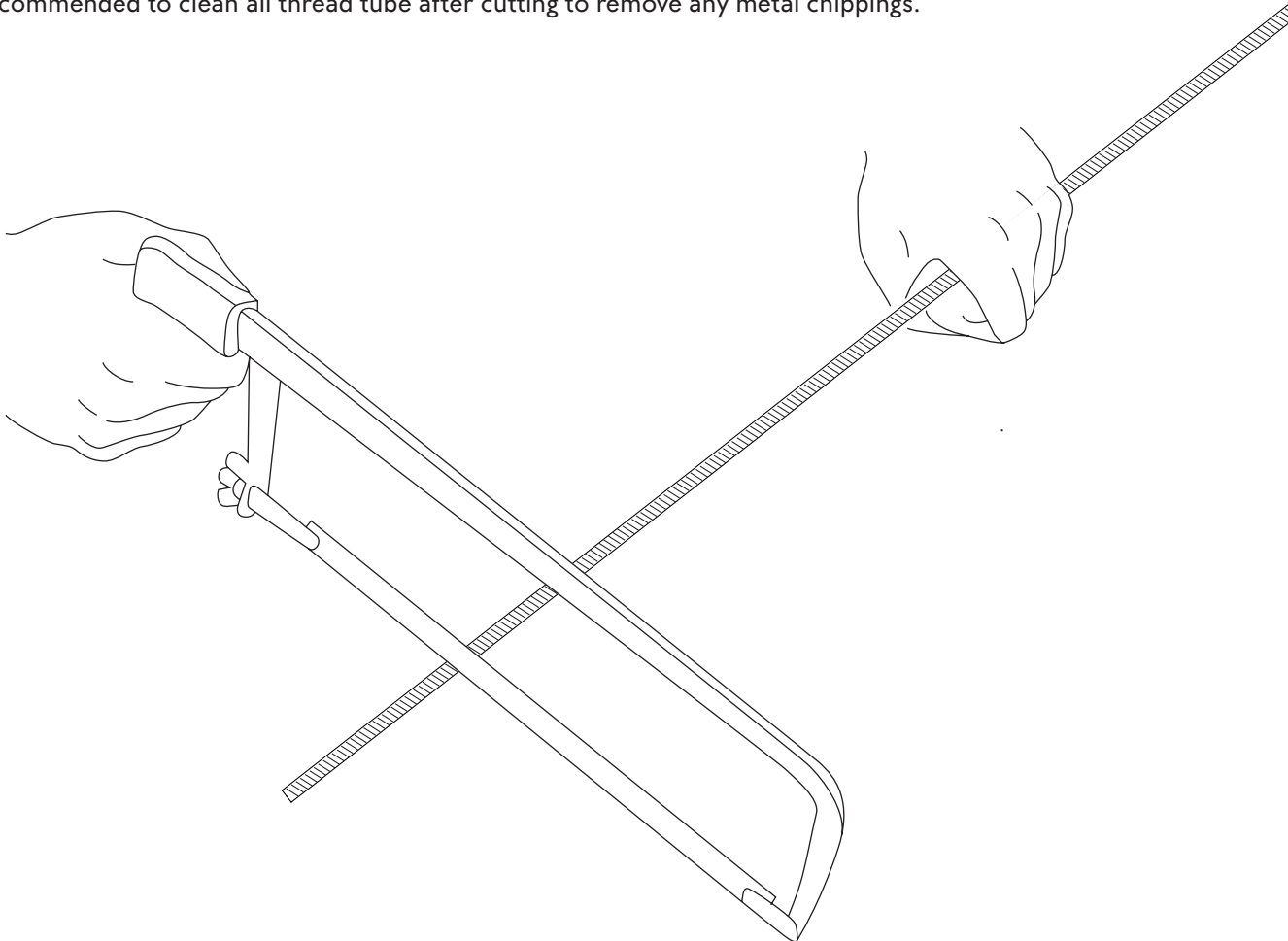
Note: Please contact a licensed electrician.

Example fixture only:

- Now that the cover tube is cut to 24", measure the all thread tube to be 24 and 3/4" long. And place a mark, with a marker or tape.



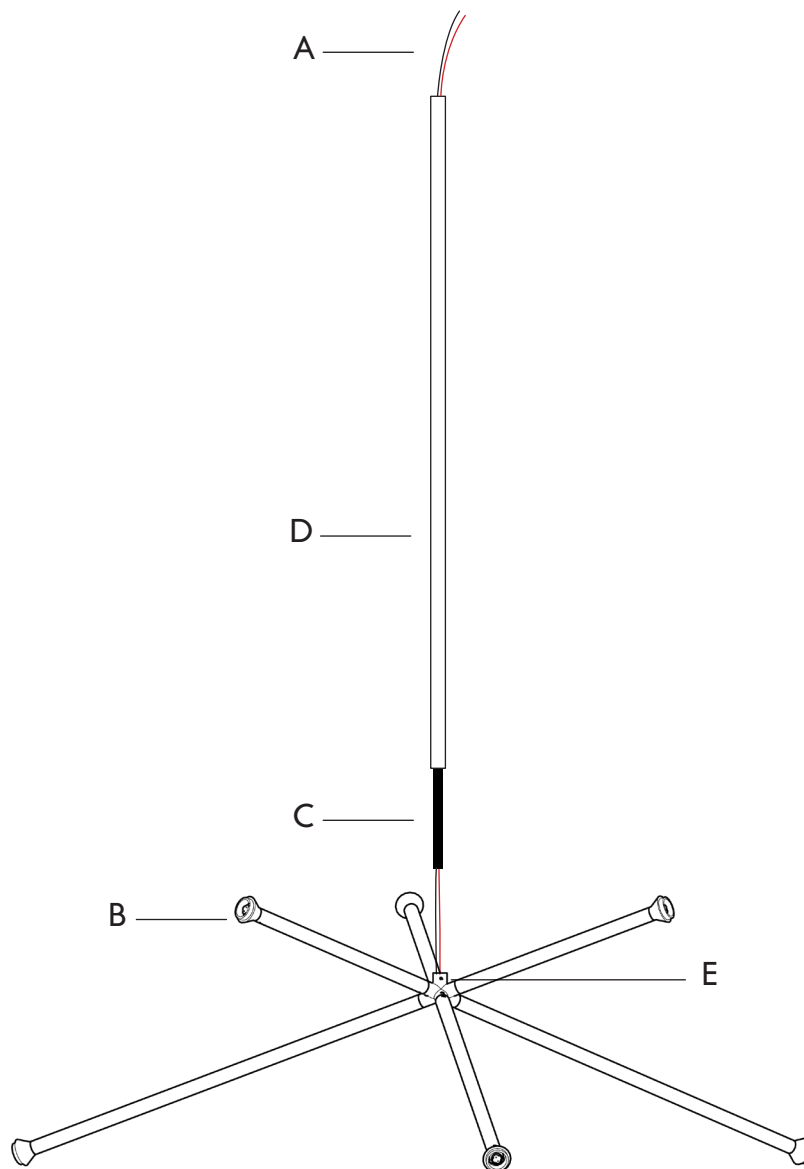
- Hold down the all thread with a hand or a clamp, use a hacksaw or electrical tool to cut the all thread tube. Recommended to clean all thread tube after cutting to remove any metal chippings.



APOLLO NOVA | Stem Installation

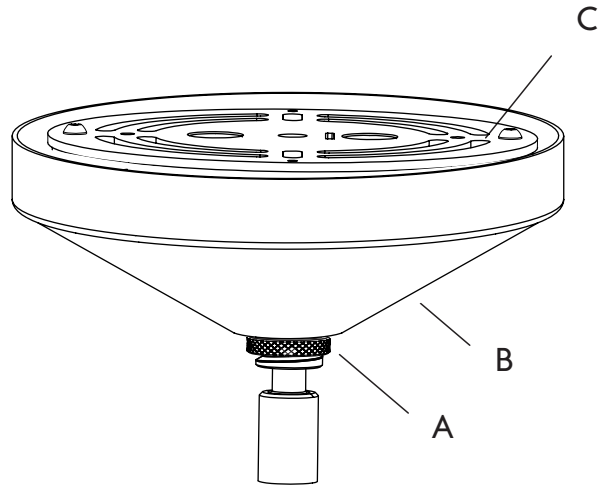
Note: Please contact a licensed electrician for installation. Ensure power is off during installation.

1. Feed the wires (A) from the Lighting assembly (B) through the threaded tube (C) and cover tube (D).
2. Secure the assembly by fastening the threaded tube onto the hub.
Tighten the setscrew with the provided L-Key (E).

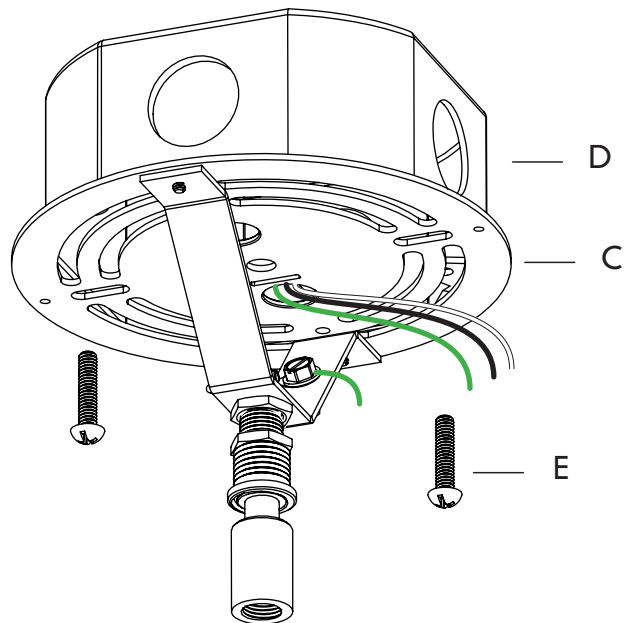


APOLLO NOVA | Crossbar Installation

1. Unscrew the hang-straight nut (A) from the canopy (B) with crossbar assembly (C).

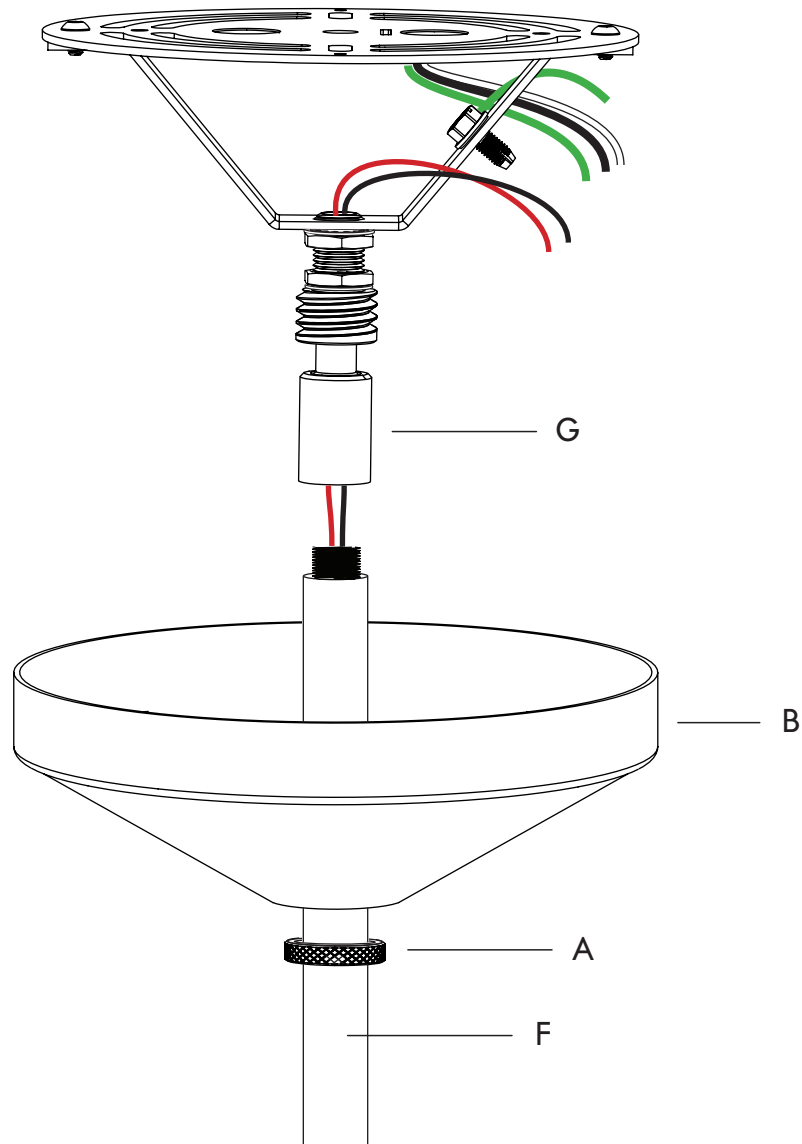


2. Raise the crossbar assembly (C) to junction box (D), and secure with #8-32 screws (E). Be sure to pull out the wires from the junction box, through the hole in the cross bar.



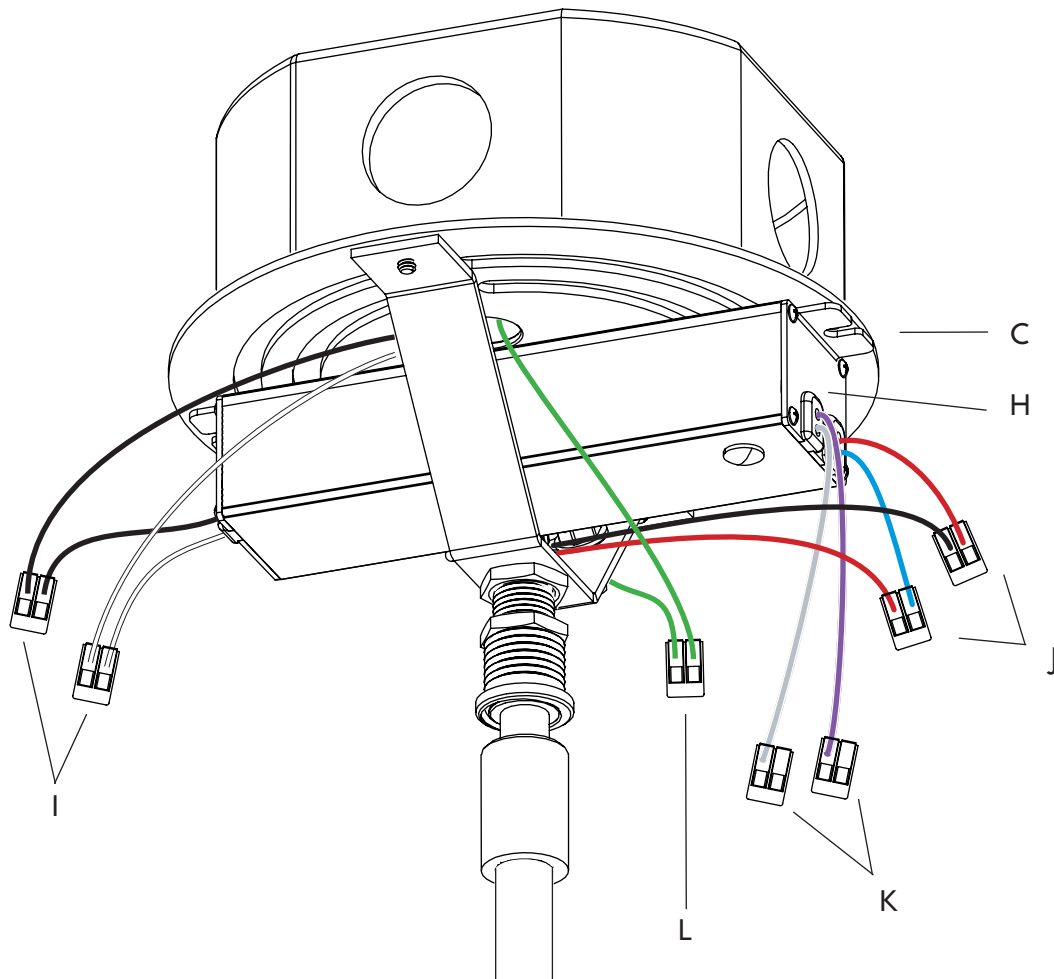
APOLLO NOVA | Crossbar Installation

3. Slide the hang-straight nut (A) and canopy (B) down the stem (F).
4. Then feed the black and red wires from the fixture, through the hang-straight (G), and screw in the threaded stem into hang-straight.



APOLLO NOVA | Crossbar Installation

5. Fit the driver (H) into the space in the crossbar assembly (C).
6. Make the electrical connections between the lead AC wires and the driver using the provided wago connectors (I).
7. Connect the secondary wires to the fixture using the provided wago connectors (J)
(Optional: Connect the 0-10V dimming wires (K) as needed)
8. Connect the ground wire (L) with the provided wago connector.
9. Tuck all wires into the crossbar assembly.



APOLLO NOVA | Glass Installation

1. Carefully thread the glass diffuser (C) on to the Lighting assembly (D) in a clockwise rotation.

