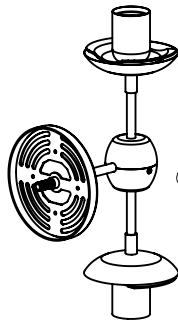


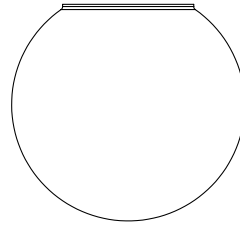
## CONTENTS

---

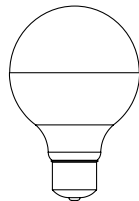
Modo Sconce - 2 Globe



Globes (2)



Bulbs (2)



Incandescent 120V  
(bulbs included)  
Incandescent 240V  
(bulbs not included)

8/32 Junction  
Box Screws



## SAFETY INFORMATION

---

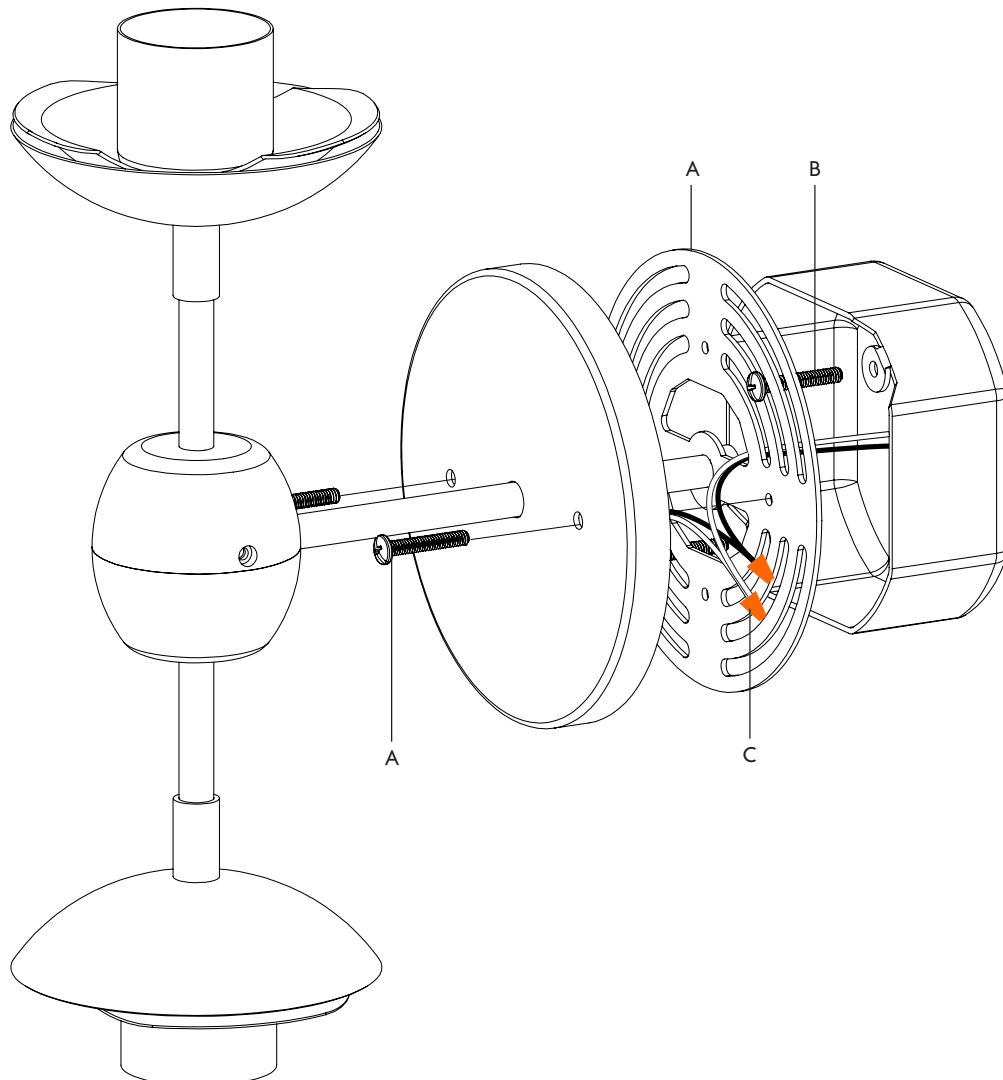
Only one light bulb per socket.  
Only suitable for direct mounting on non-combustible surfaces.  
Under no circumstances can Modo Chandeliers be mounted on normally flammable surfaces.  
Suitable for dry, indoor use only.  
Maximum ambient temperatures: 25° C

## WALL INSTALLATION | MODO SCONCE - 2 GLOBE

---

*Note: Please contact a licensed electrician.  
Note: Do not use bulbs that exceed 25 watts.*

1. Attach custom crossbar (A) from the back of the fixture onto the junction box using provided #8-32 screws (B). Level the crossbar so that two of the holes are horizontal. Pull electrical wires out through the crossbar.
2. Trim excess wire and make electrical connections from junction box to sconce (C). Push the connected wires back through the center hole of the crossbar.
3. Fit the fixture over the crossbar and secure in place with provided 8-32 screws into the crossbar (D).



## INSTALLATION | ATTACHING MODO GLOBES

---

*Note: Make sure to power off fixture before changing bulbs.*

1. Screw light bulbs into sockets. Sandwich the glass globe (A) around the socket fitter (B) and cap (C). Gently tighten the sleeve (D) to hold the globe in place.

