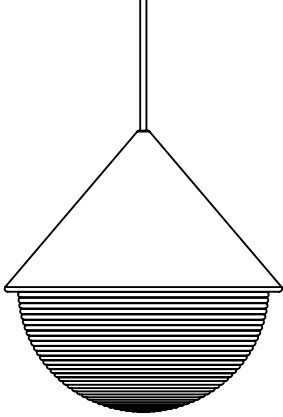

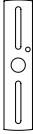
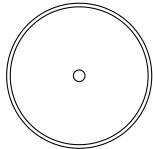




## CONTENTS

<p>Pendant - Hemisphere</p> 	<p>#8-32 Screws (2)</p> 	<p>Crossbar</p> 
<p>Canopy with Bushing</p> 	<p>1/8 IPS Nipple</p> 	<p>Strain Relief</p> 

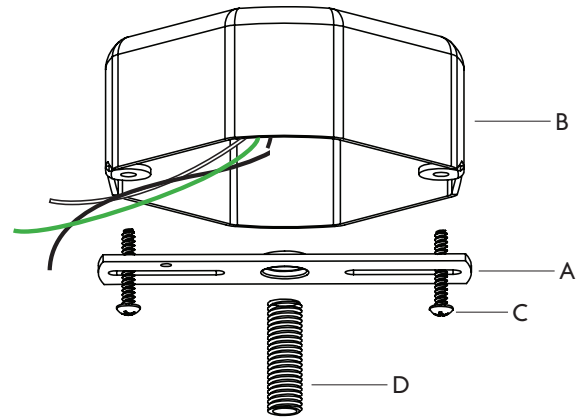
## SAFETY INFORMATION

Only one light bulb per socket.  
 Only suitable for direct mounting on non-combustible surfaces.  
 Under no circumstances can Half and Half Pendants be mounted on normally flammable surfaces.  
 Suitable for dry, indoor use only.  
 Maximum ambient temperature: 25° C  
 If the external flexible cable or cord of this luminaire is damaged, it shall be exclusively replaced by Roll & Hill or Roll & Hill's service agent or a similarly qualified person in order to avoid hazard.

## CEILING INSTALLATION

*Note: Please contact a licensed electrician.  
Note: Do not use bulbs that exceed 60 watts.*

1. Install crossbar (A) to junction box (B) using #8-32 screws (C). It is recommended to pull the main wires out so they are accessible while making the main connection later. Once secure, screw the nipple (D) into crossbar.



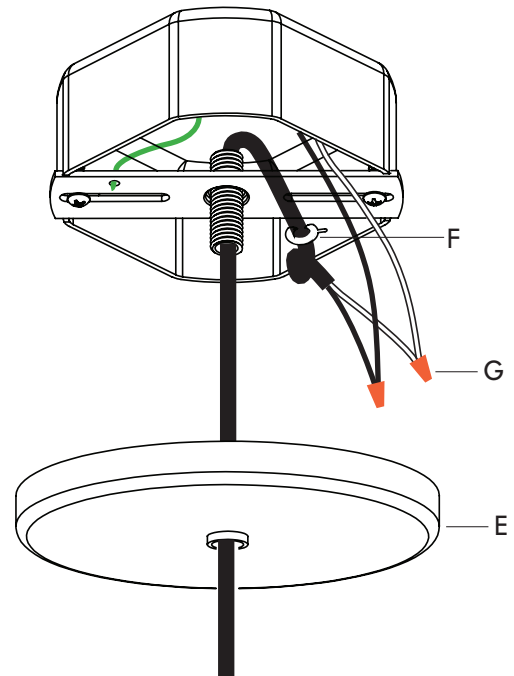
2. Cut the electrical cable to desired length and feed through the bushing in the ceiling canopy (E) and the nipple.

3. Tie a knot in the electrical cable above the crossbar and crimp the C shaped strain relief (F) just below the knot.

4. Strip wires and make connections to the leads in the ceiling using provided wire nuts (G). Attach the green ground wire to the crossbar with ground screw.

5. Tuck the connected wires into the junction box. Raise the canopy with attached knurled nut and thread onto nipple, tightening flush to the ceiling.

6. Make sure fixture is powered off before screwing the bulb into the socket.



## CEILING INSTALLATION *continued*

---

*To change lamp:*

1. While fixture is hanging from ceiling, slowly slide the metal cone (B) up the power cord (A).
2. Once light bulb (C) is accessible, carefully unscrew out of socket and replace with the recommended light bulb replacement.
3. Replace metal cone (B) to its original position.

