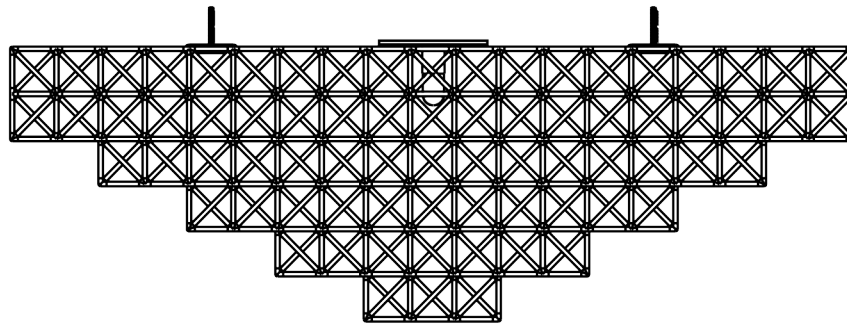
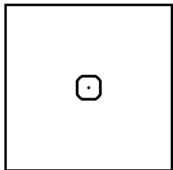

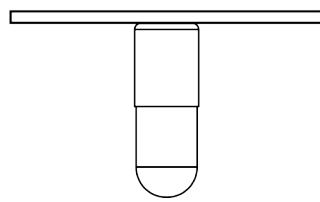




CONTENTS

Gridlock 5640



<p>Installation Template</p> 	<p>8-32 Screws (2)</p> 	<p>Bulb Stem</p> 
<p>1/4-20 Ceiling Toggle Anchor (4)</p> 	<p>1/4 20 Bolt x4</p> 	

SAFETY INFORMATION

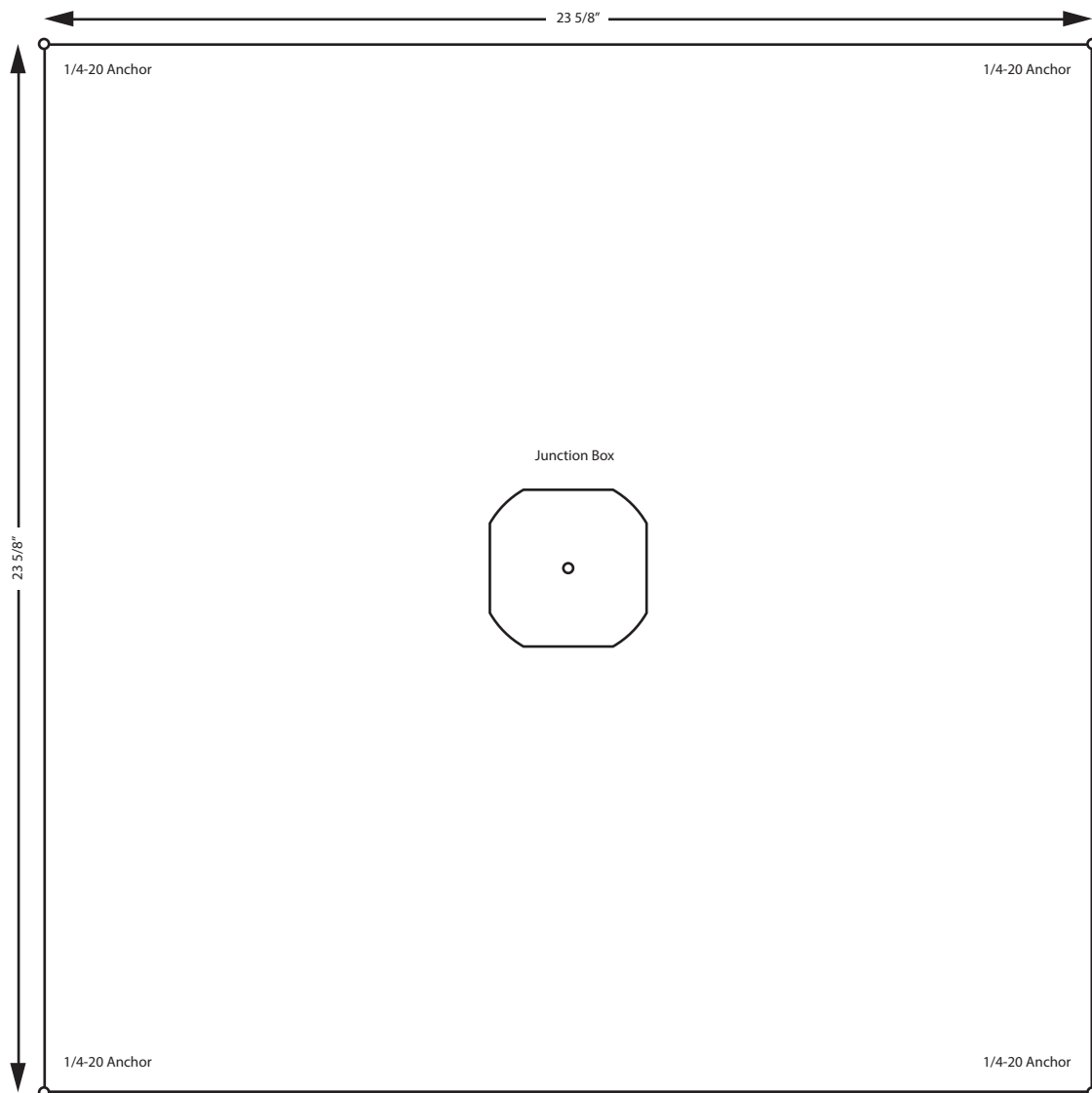
Only one light bulb per socket.
Only suitable for direct mounting on non-combustible surfaces.
Under no circumstances can Gridlock Pendants be mounted on normally flammable surfaces.
Suitable for dry, indoor use only.
Maximum ambient temperatures: 25° C

GRIDLOCK 5640 | CEILING INSTALLATION

Note: Please contact a licensed electrician.

Note: Do not use bulbs that exceed 100 watts for Gridlock 5640

1. Using supplied template place 1/4 20 anchors in the ceiling at corners of template, keeping the junction box dead center in the template

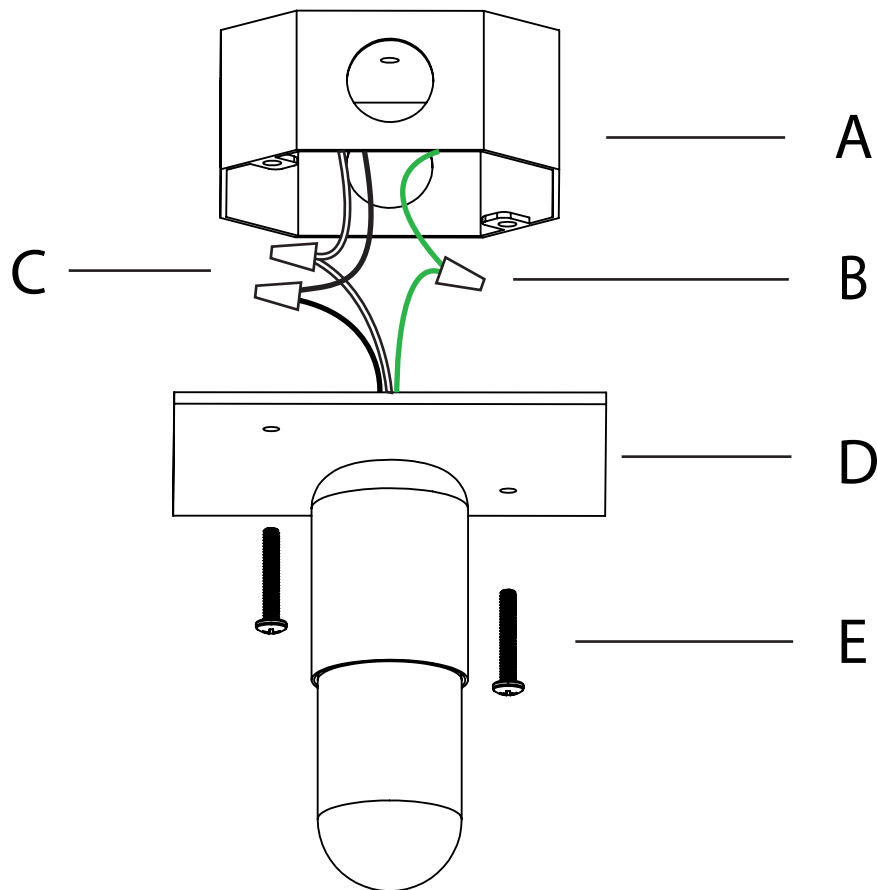


GRIDLOCK 5640 | CEILING INSTALLATION

Note: Please contact a licensed electrician.

Note: Do not use bulbs that exceed 100 watts for Gridlock 5640

1. Make wire connections from fixture to ceiling (C) and ground wire (B) as shown
2. Secure canopy (D) to junction box (A) using provided 8/32 screws (E) tucking all wires inside junction box (A)



GRIDLOCK 5640 | CEILING INSTALLATION

Note: Please contact a licensed electrician.

Note: Do not use bulbs that exceed 100 watts for Gridlock 5640

1. Affix shade to ceiling using provided 1/4 20 screws (A), putting them through the four mounting plates in the fixture shade and aligning them with the anchors you have previously installed

