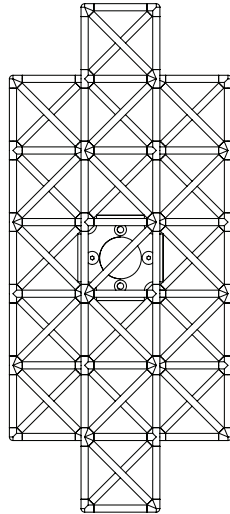
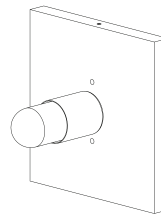


CONTENTS

Gridlock 193



Backplate Assembly



8-32 Crossbar
Screw (2)



T Handle Allen Driver
for 8-32 or 6-32



SAFETY INFORMATION

Only one light bulb per socket.

Only suitable for direct mounting on non-combustible surfaces.

Under no circumstances can Gridlock Sconces be mounted on normally flammable surfaces.

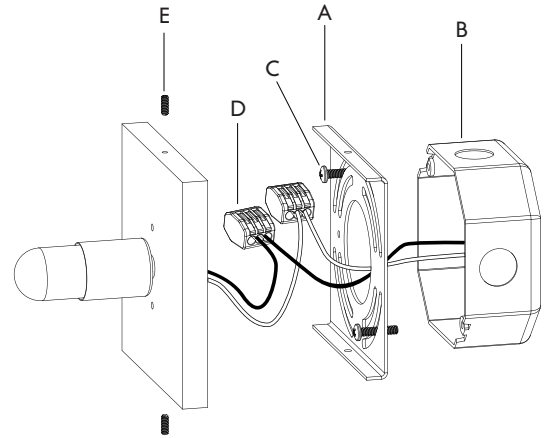
Suitable for dry, indoor use only.

Maximum ambient temperatures: 25° C

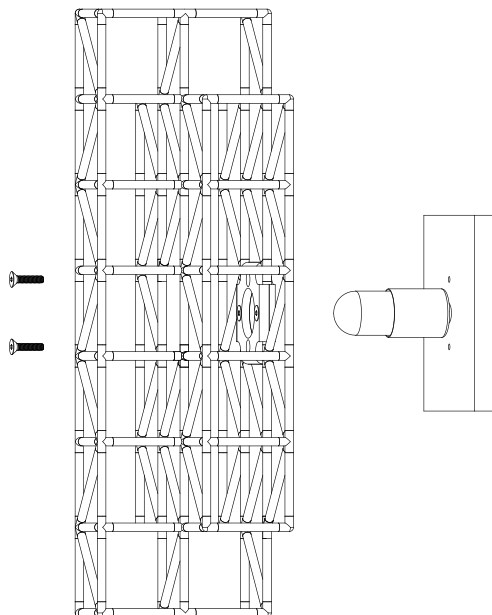
GRIDLOCK 193 | WALL INSTALLATION

*Note: Please contact a licensed electrician.
Note: Do not use bulbs that exceed 20 watts.*

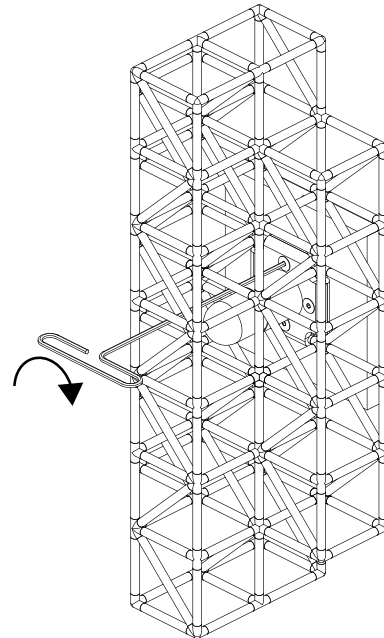
1. Attach the crossbar (A) to the junction box (B) using the provided 8-32 Screws (C).
2. Pull the leads from the junction box through the hole in the center of the crossbar.
3. Lift the backplate body of the sconce and attach the lead wires to the leads from the wall using the provided Wago connectors (D).
4. Once connected, tuck the leads back through the hole and press the backplate body onto the crossbar. Attach at the bottom and top of the backplate body using the two 6-32 Screws (E).



5. Lift the cage body and fit the hole over the socket assembly. Attach the 8-32 Allen Screws through the top and bottom holes on the face of the backplate body.



6. Use the provided T-handle driver to reach through the cage and tighten the allen screws.



GRIDLOCK | REPLACING BULB

Note: Make sure to power off fixture and allow bulbs and metal arms to cool.

To change the halogen G4 bulb (A), take off the pendant cage (see installation instructions page) then unscrew the glass cover (B) and pull out the bulb from the socket (C).

