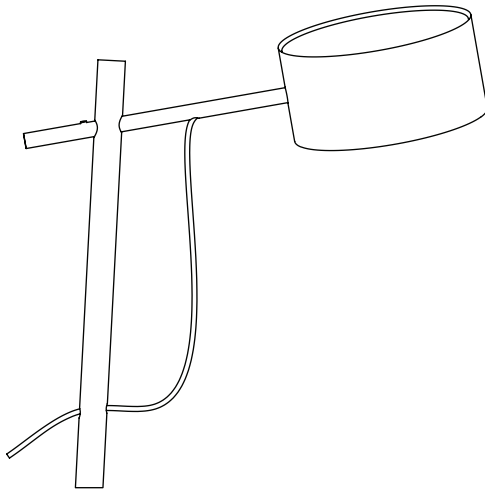
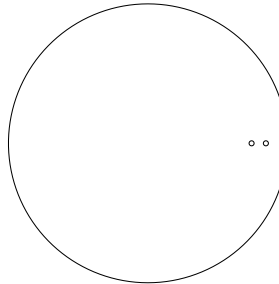


CONTENTS

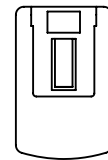
Excel Desk Lamp



Base



USB Driver



(x2) Machine Screws



(x5) Driver Adapters



SAFETY INFORMATION

Only one light bulb per socket.

Only suitable for direct mounting on non-combustible surfaces.

Under no circumstances can Excel fixtures be mounted on normally flammable surfaces.

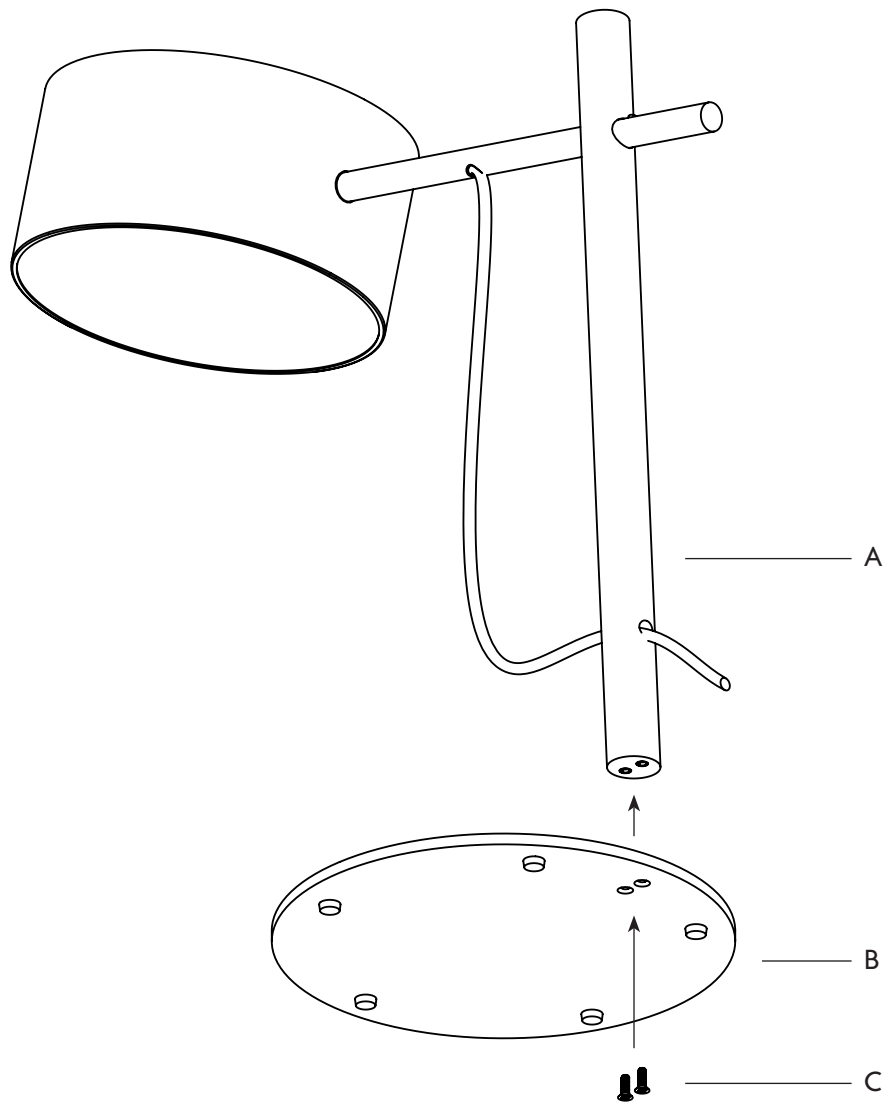
Suitable for dry, indoor use only.

Maximum ambient temperature: 25° C

If the external flexible cable or cord of this luminaire is damaged, it shall be exclusively replaced by Roll & Hill or Roll & Hill's service agent or a similarly qualified person in order to avoid hazard.

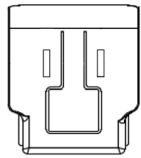
INSTALLATION | ATTACHING THE BASE

1. Attach desk lamp (A) to base (B) using x2 provided machine screws (C).

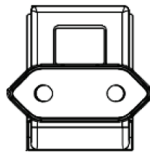


INSTALLATION | POWER & DIMMING

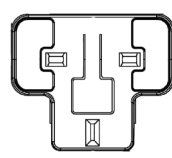
1. Find the suitable driver adapter for your country's outlet type.



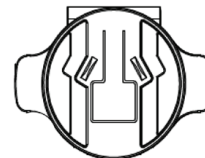
North America



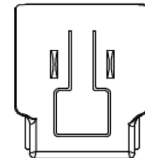
Europe



United Kingdom



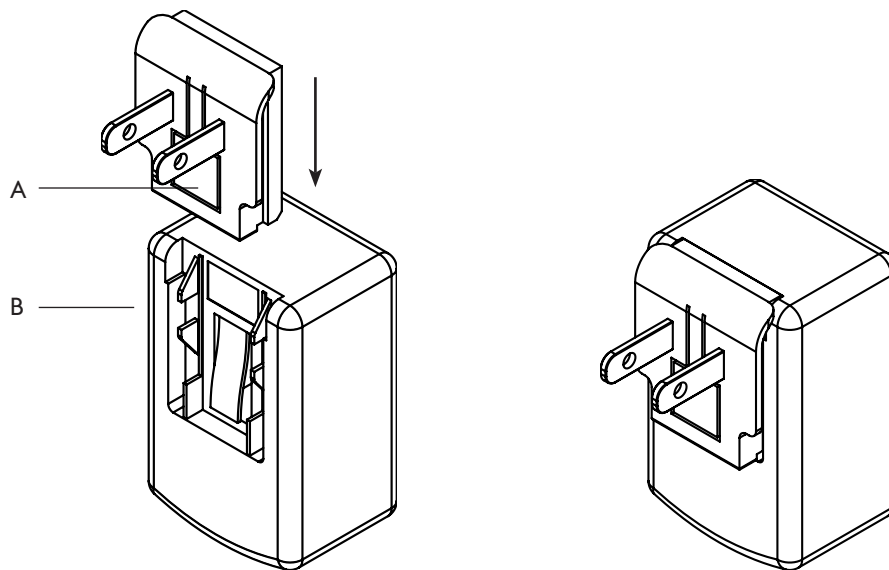
Australia



China

2. Slide driver adapter (A) into USB driver (B) until it clicks into place.

3. To remove a driver adapter, press on the flexible tab on the adapter (A) and slide it out of the USB driver (B).



4. Rotate the dimmer knob (C) clockwise to make the lamp brighter. Rotate the dimmer knob counterclockwise to make the light dimmer and to turn it off.

