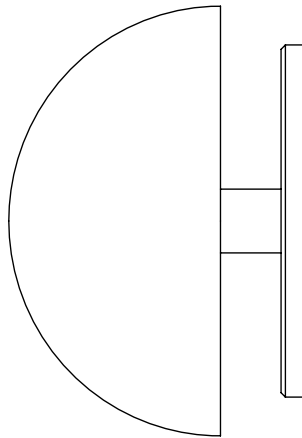


## CONTENTS

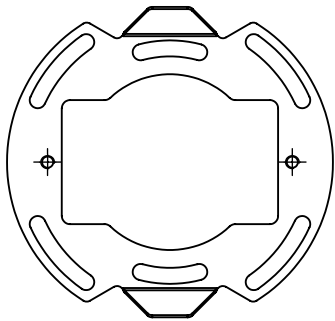
---

### Eclipse Fixed



---

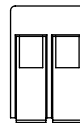
#### Crossbar



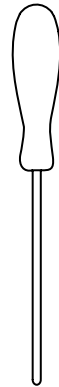
#### Crossbar Screws 8/32



#### Wago Connectors (2)



#### Hex Wrench



---

## SAFETY INFORMATION

Only suitable for direct mounting on non-combustible surfaces.

Under no circumstances can Eclipse sconce be mounted on normally flammable surfaces.

Suitable for dry, indoor use only.

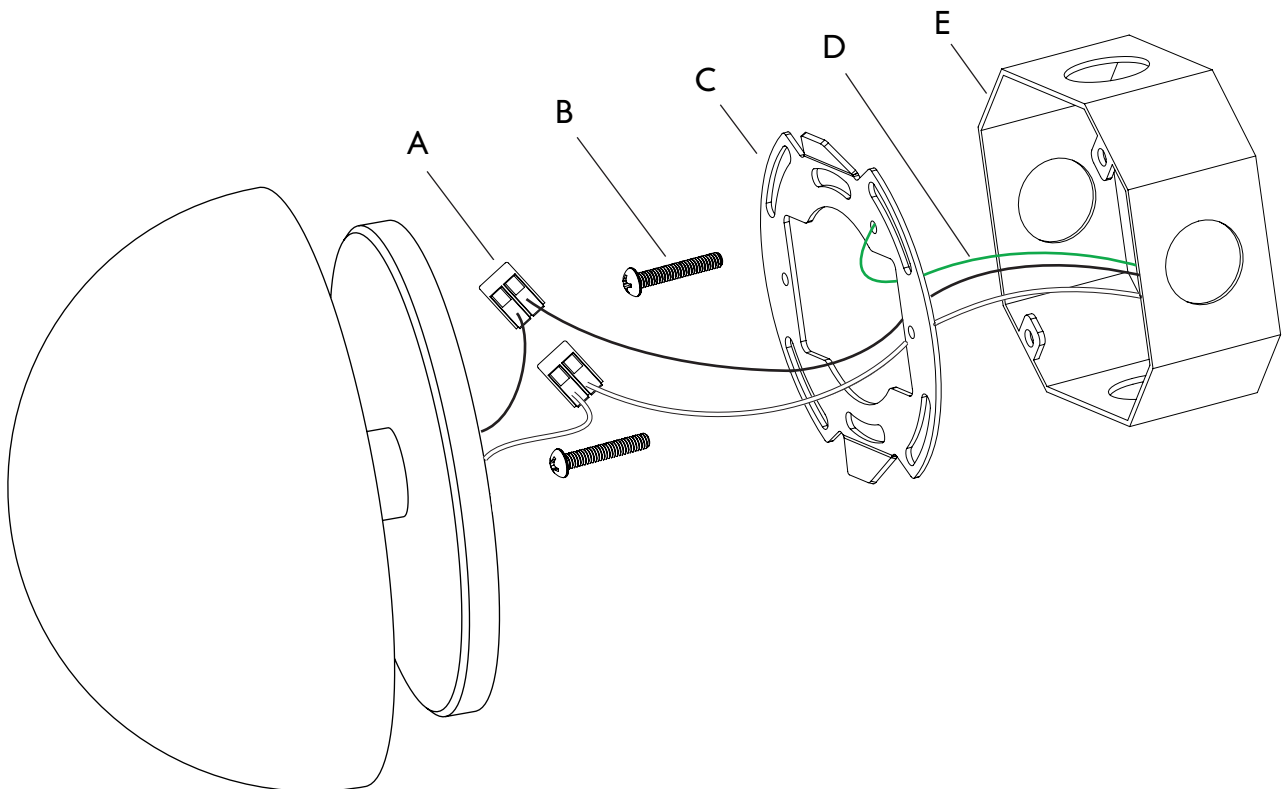
Maximum ambient temperatures: 25° C

## INSTALLATION | ECLIPSE

---

*Note: Please contact a licensed electrician.*

1. Affix crossbar (C) to Junction box (E) using 8/32 screws (B) Make sure tabs on crossbar are facing out and vertical.
2. Make electrical connections with 2-port wagos (A), connect ground wire to screw on crossbar (D).
3. Tuck electrical wires into the junction box (E).



## INSTALLATION | ECLIPSE

---

*Note: Please contact a licensed electrician.*

4. Hang the backplate of the fixture on the top hook of the crossbar (A).
5. Pivot bottom end toward wall and secure with included set screw (B).

