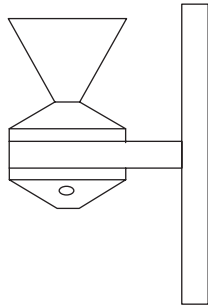
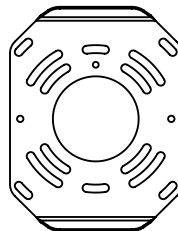


Contents

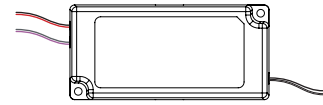
Castle Sconce 01



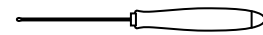
Crossbar



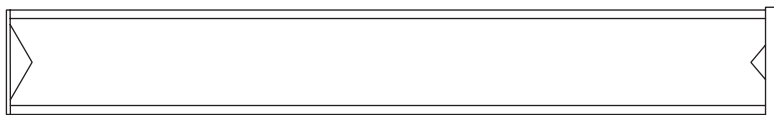
LED Driver



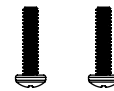
Hex Key



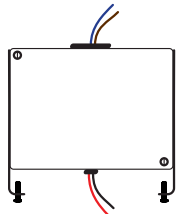
Glass



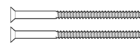
8-32 Screw (2)



Driver Box
(240V only)



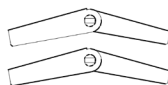
(x4) Wood screw
(240V only)



Set screw



(x4) Toggle anchor
(240V only)



(x4) Metal screw
(240V only)



WAGO (7)



(x4) Long 8-32 screw
(240V only)



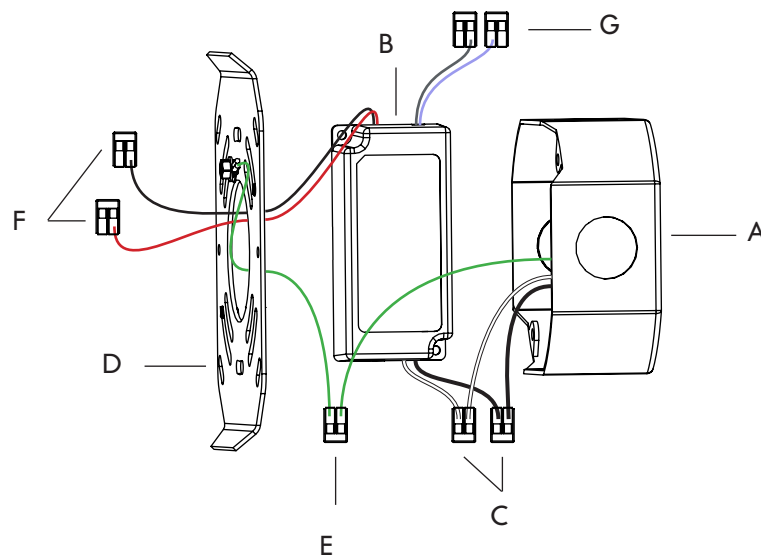
SAFETY INFORMATION

Only suitable for direct mounting on non-combustible surfaces.
Under no circumstances can Castle Sconce 01 Fixtures be mounted on normally flammable surfaces.
Suitable for dry or damp locations.
Maximum ambient temperature: 25° C

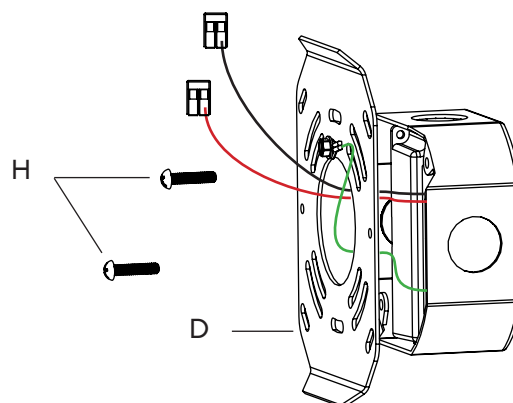
WALL INSTALLATION | CASTLE SCONCE 01 | 120V

Note: Please contact a licensed electrician.

1. Pull out the wires from the J-box (A), and make the lead wire connection to the LED driver (B) using the provided 2-port wagos (C). Then connect the
2. Connect the ground wires from the crossbar (D) to the J-box wire using the provided 2-port wago (E).
3. Pull the low voltage wires (F) through the center hole of the crossbar.
4. Optional connect the 0-10V dimming wires using the provided 2-port wagos (G).



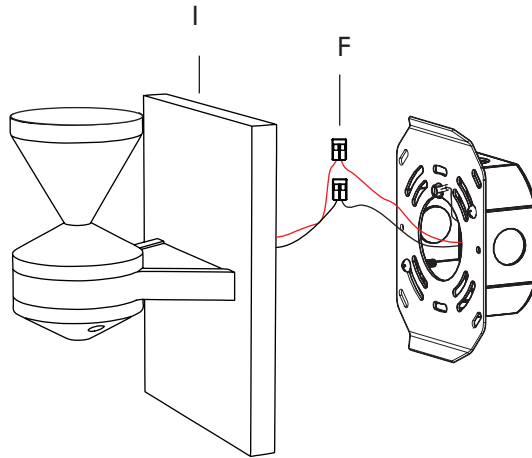
5. Fit the LED driver inside the J-box, and tuck in all the wires. Be sure not to crimp any wires.
6. Secure the crossbar (D) with the provided two screws (H).



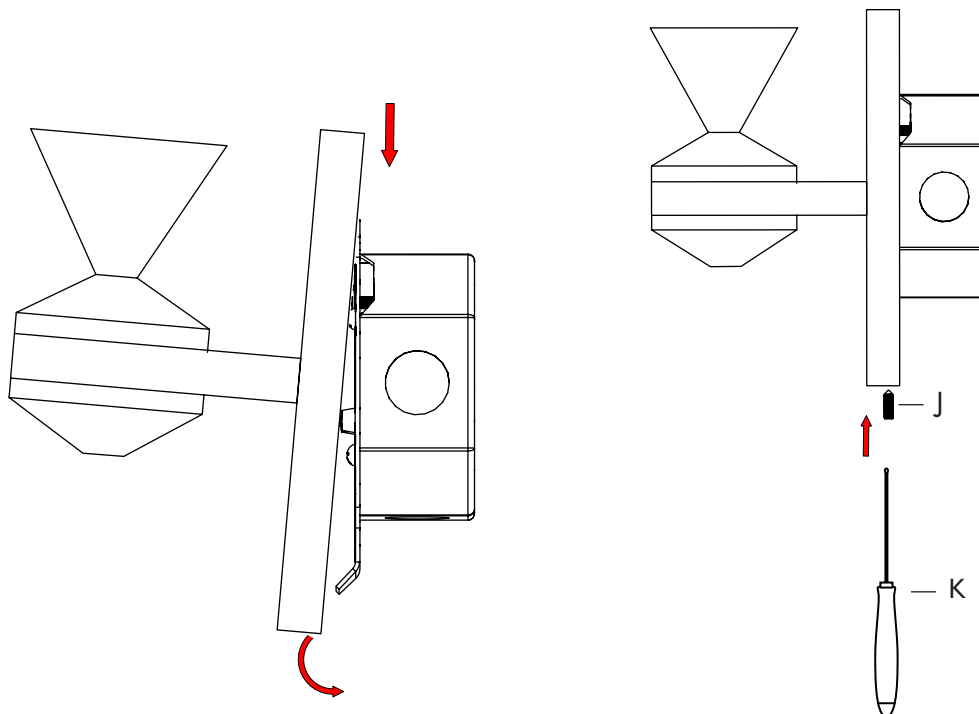
WALL INSTALLATION | CASTLE SCONCE 01 | 120V

Note: Please contact a licensed electrician.

7. Make the low voltage wire connection from the fixture (I) to the LED driver wires, using the provided 2-port wagos (F).



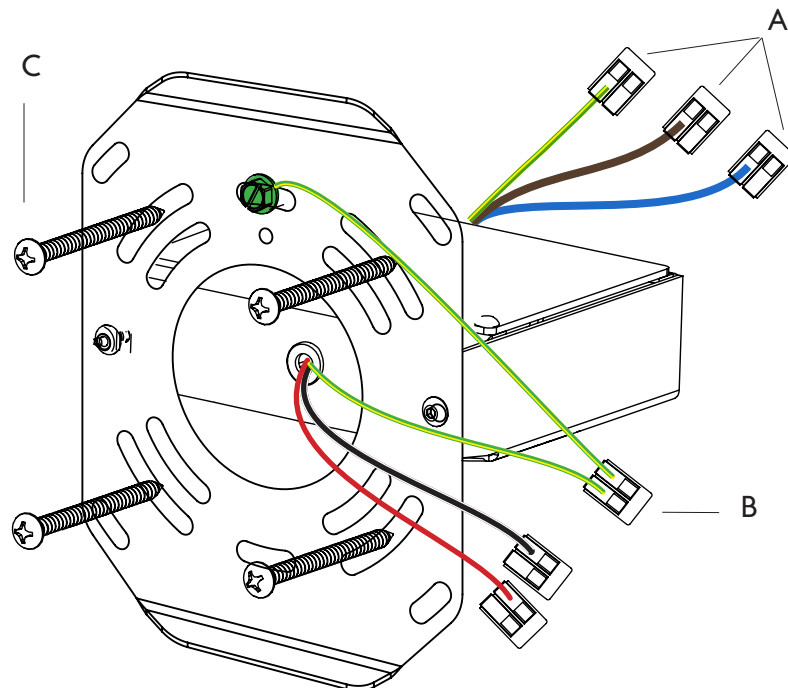
8. Mount the fixture to the wall by wedging the top on the crossbar, then lowering the bottom. Secure in place with the set screw (J) with a provided Hex driver (K). See the images below for reference.



WALL INSTALLATION | CASTLE SCONCE 01 | 240V

Note: Please contact a licensed electrician.

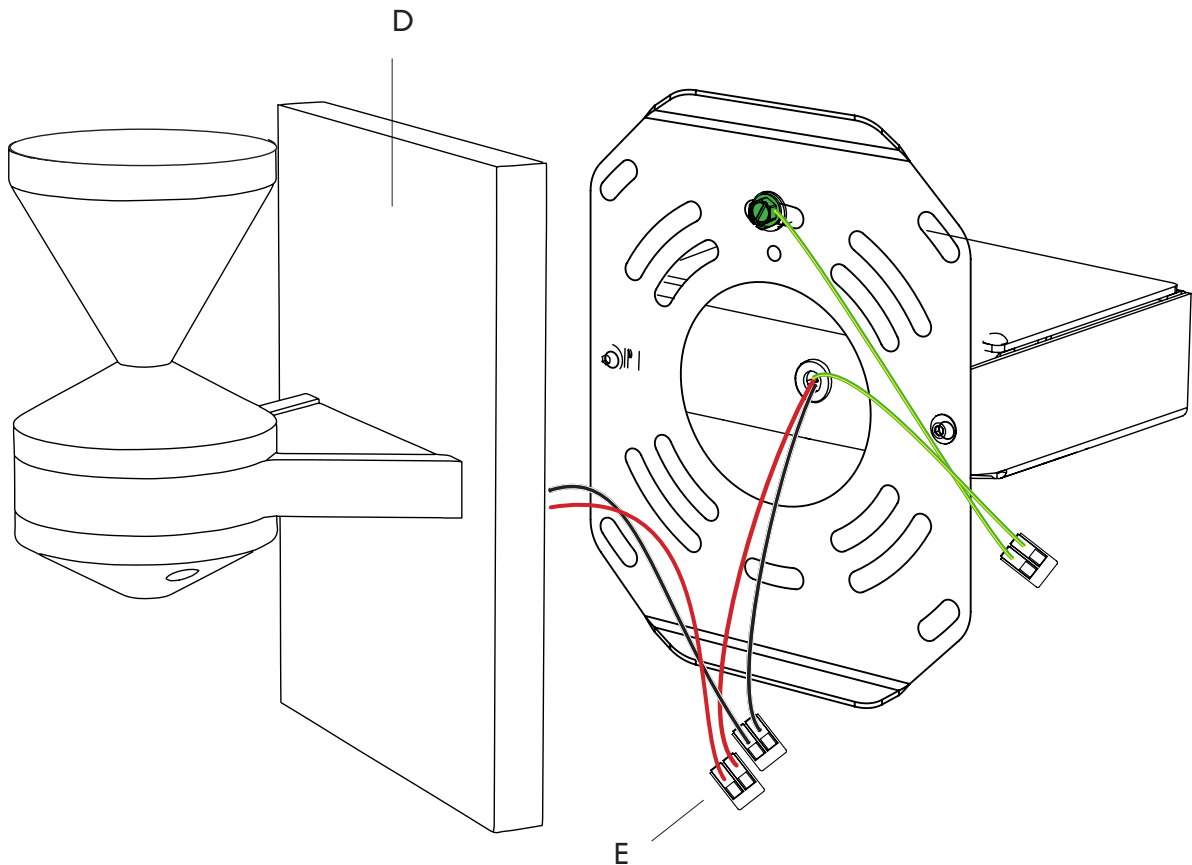
1. Connect the lead wires (A) to the power supply wires.
2. Ground the crossbar assembly through the back of the driver box using the wago connector (B).
3. Mount the crossbar to the wall using the provided screws (C).



WALL INSTALLATION | CASTLE SCONCE 01 | 240V

Note: Please contact a licensed electrician.

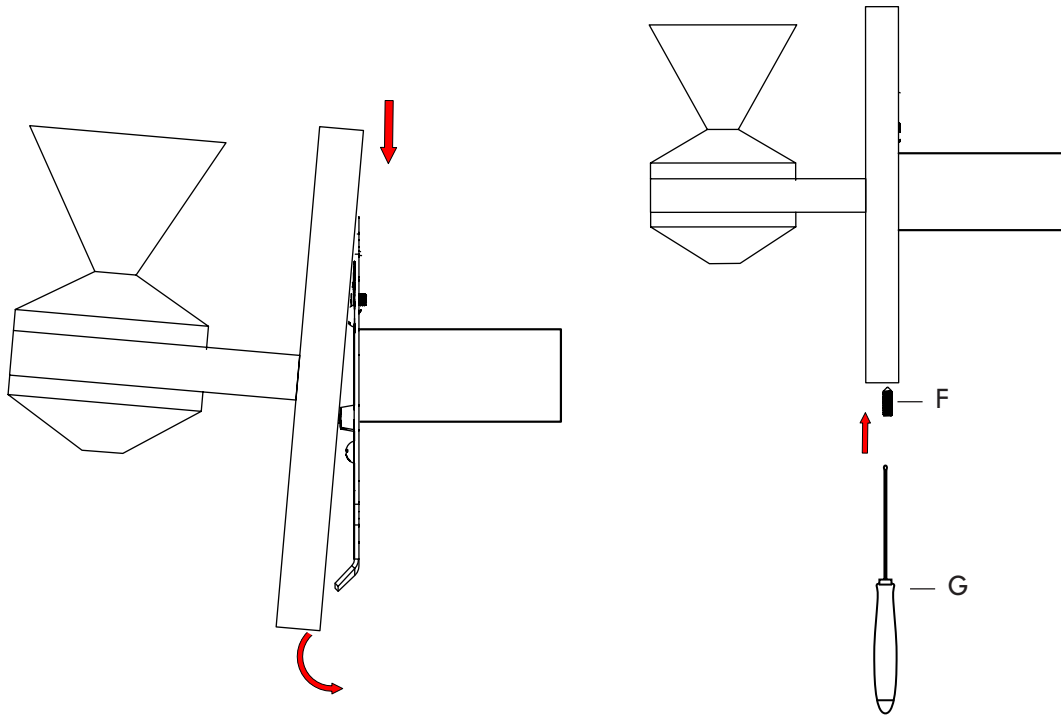
04. Carefully hold the fixture assembly (D) up to the crossbar. Make the secondary wire connections between the driver wires and the fixture wires (E).



WALL INSTALLATION | CASTLE SCONCE 01 | 240V

Note: Please contact a licensed electrician.

5. Mount the fixture to the wall by wedging the top on the crossbar, then lowering the bottom.
Secure in place with the set screw (F) with a provided Hex driver (G). See the images below for reference.



WALL INSTALLATION | CASTLE SCONCE 01

01. Screw the glass diffusers (A) clockwise into threaded hub (B)

