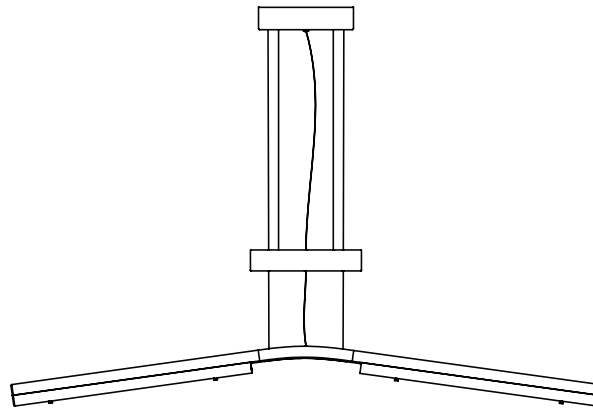
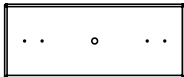
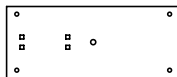





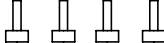
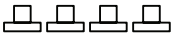


CONTENTS

Counterweight Pendant



<p>Canopy</p> 	<p>Custom Hanging Bar Assembly</p> 		<p>Custom Glass</p> 	<p>Wago Connector (4)</p> 
<p>Crossbar 1/4-20</p> 	<p>Brass Bushing</p> 	<p>8-32 Crossbar Screws (2)</p> 	<p>8-32 Thumb Screws (4)</p> 	<p>Shoulder washers (4)</p> 

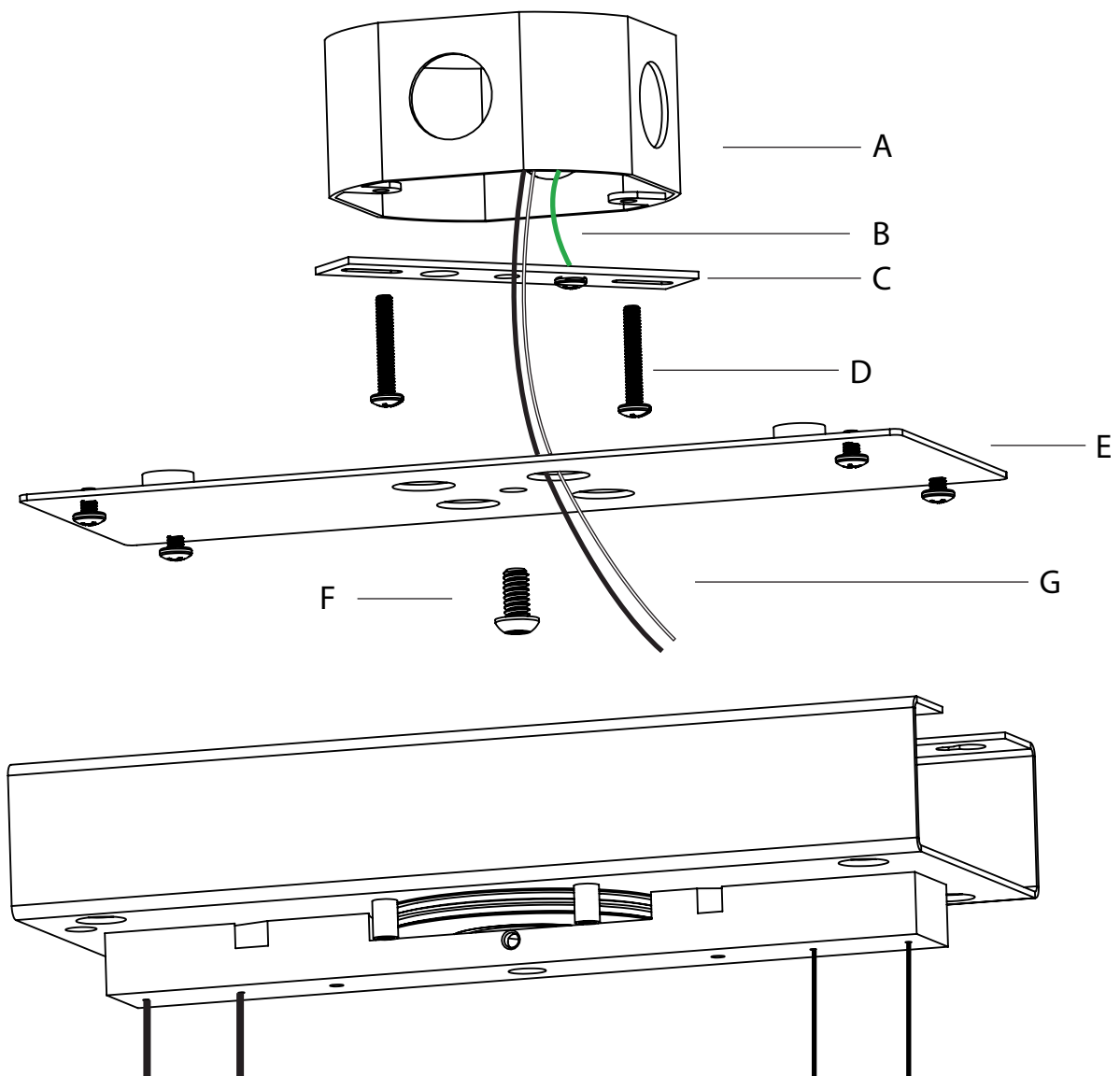
SAFETY INFORMATION

- Only suitable for direct mounting on non-combustible surfaces.
- Under no circumstances can Counterweight fixtures be mounted on normally flammable surfaces
- Suitable for dry, indoor use only.
- Maximum ambient temperatures: 25° C
- Caution, risk of electric shock ⚠ The light source contained in this luminaire shall only be replaced by the manufacturer or his service agent or a similar qualified person
- If the external flexible cable or cord of this luminaire is damaged, it shall be exclusively replaced by the manufacturer or his service agent or a similar qualified person in order to avoid a hazard.

COUNTERWEIGHT | CEILING INSTALLATION

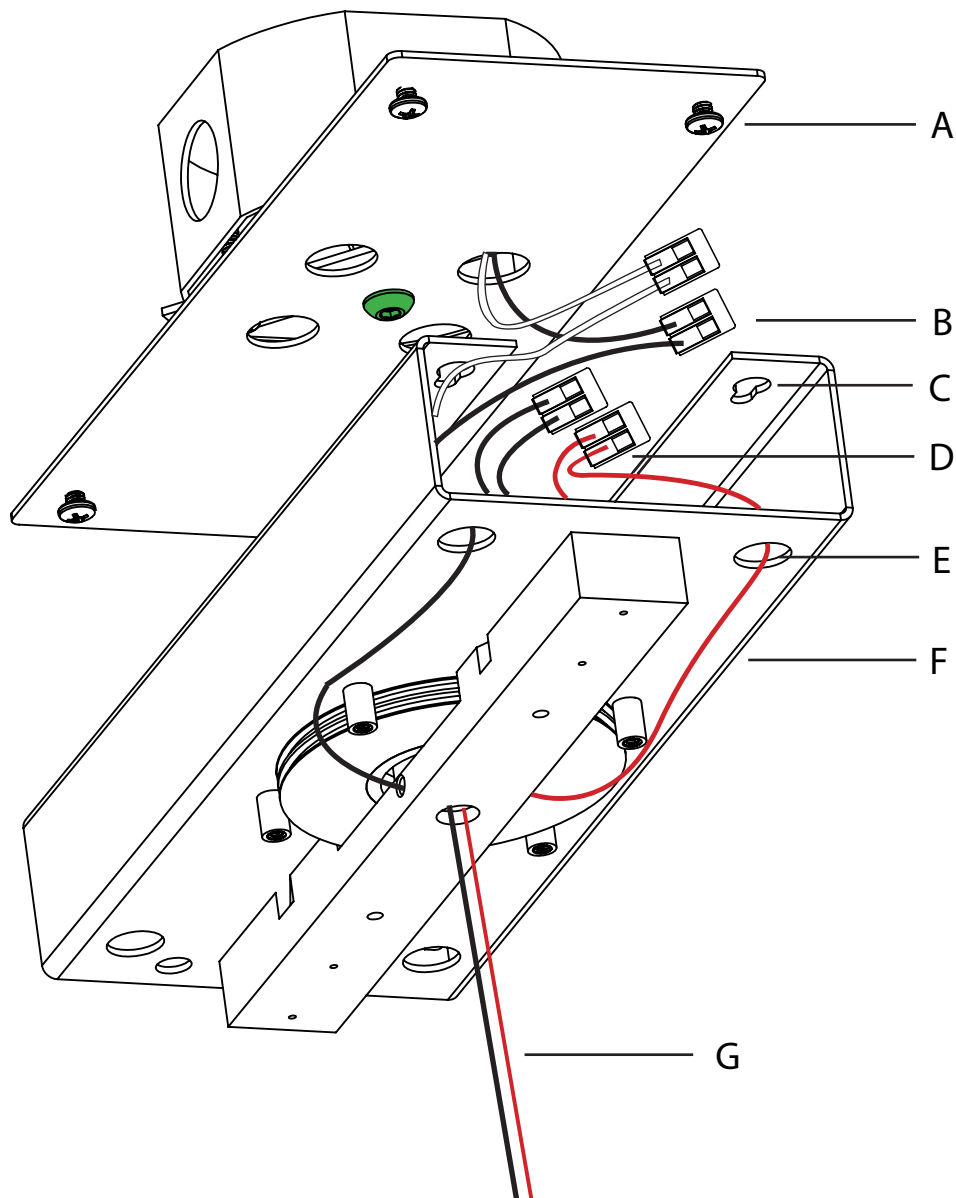
Note: Please contact a licensed electrician.

01. Attach the crossbar (C) to the junction box (A) using two provided 8-32 screws (D) .
Connect ground (B) to crossbar (C)
02. Lift the hanging plate (E) with the rubber bumpers attached, and secure in place by screwing the provided 1/4-20 (F) screw through the center to the crossbar (C).
03. Guide the ceiling leads (G) through the hanging plate (E) as shown



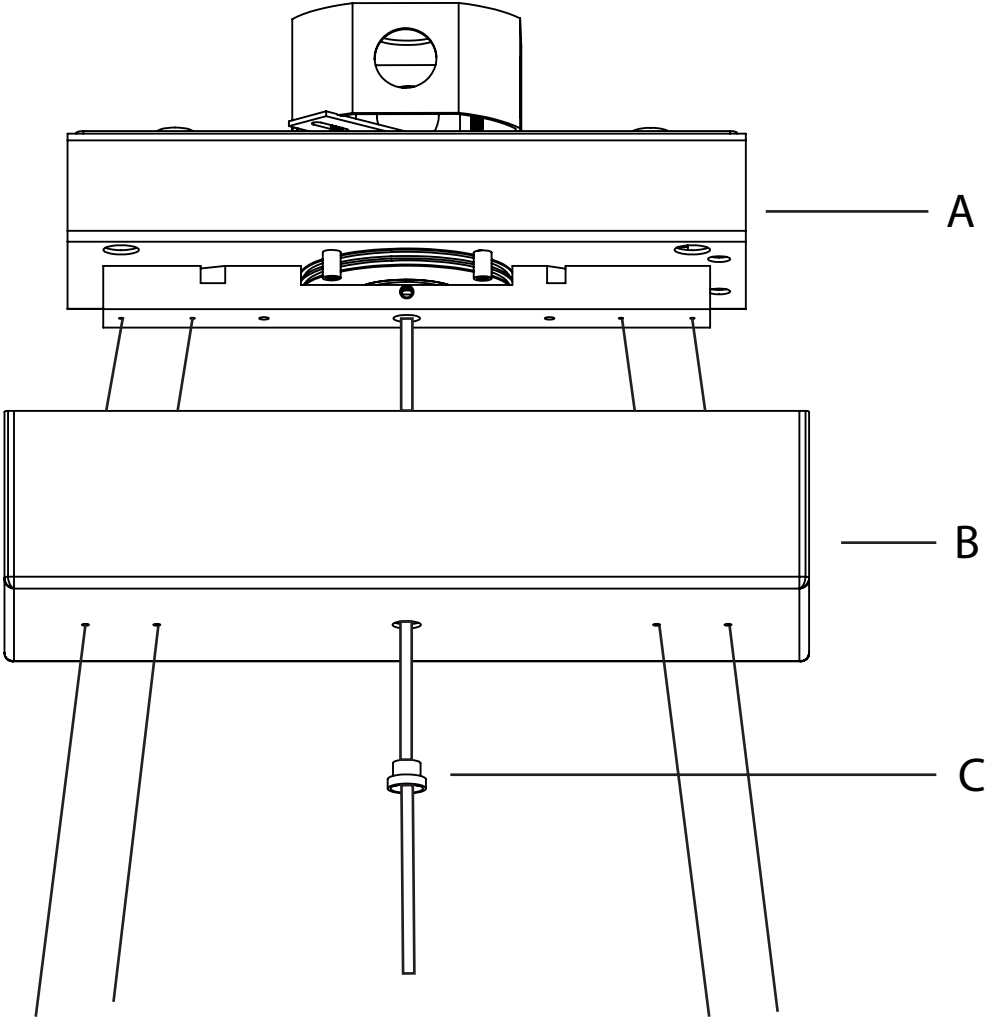
COUNTERWEIGHT | CEILING INSTALLATION

04. Make wire connection (B) from the input of the transformer to the ceiling power, make sure the wires are white and black not black and red.
05. Feed fixture wires (G) through the holes in power box (E) connect to black and red output wires from the transformer (D)
06. Push hanging plate screws (A) into keyhole slots (C) in the bar cap (F) , making sure to tuck wires into empty space in the bar cap. Tighten hanging plate screws (A) once keyed in utilizing pass through holes (E)



COUNTERWEIGHT | CEILING INSTALLATION

07. Raise canopy (B) over completed assembly (A) and secure with threaded bushing (C)



COUNTERWEIGHT | GLASS ATTACHMENT

01. Align the holes of the custom glass with the holes of the standoffs on the fixture.
02. Thread the 8-32 thumb screws with shoulder washers through the glass and into the standoffs.
03. Tighten the thumb nuts until the glass is firmly pressed against the wood of the fixture.
Do not over tighten or the glass will have a chance of cracking.

