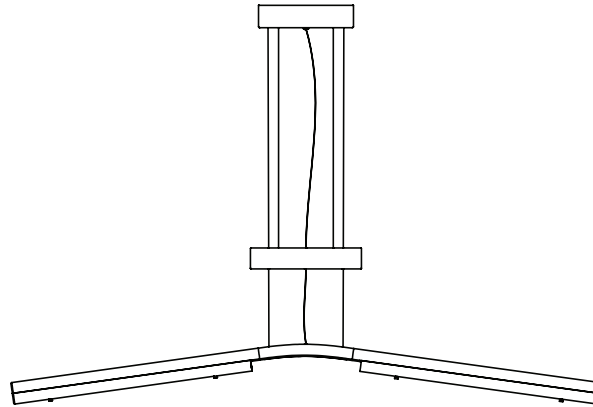










## CONTENTS

---

### Counterweight Pendant - Fixed



<p>Canopy Assembly</p> 	<p>Crossbar 1/4-20</p> 	<p>Custom Glass (2)</p> 	<p>Shoulder washers (2)</p> 
<p>Brass Bushing</p> 	<p>8-32 Crossbar Screws (2)</p> 	<p>8-32 Thumb Screws (4)</p> 	<p>Strain Relief</p> 

## SAFETY INFORMATION

---

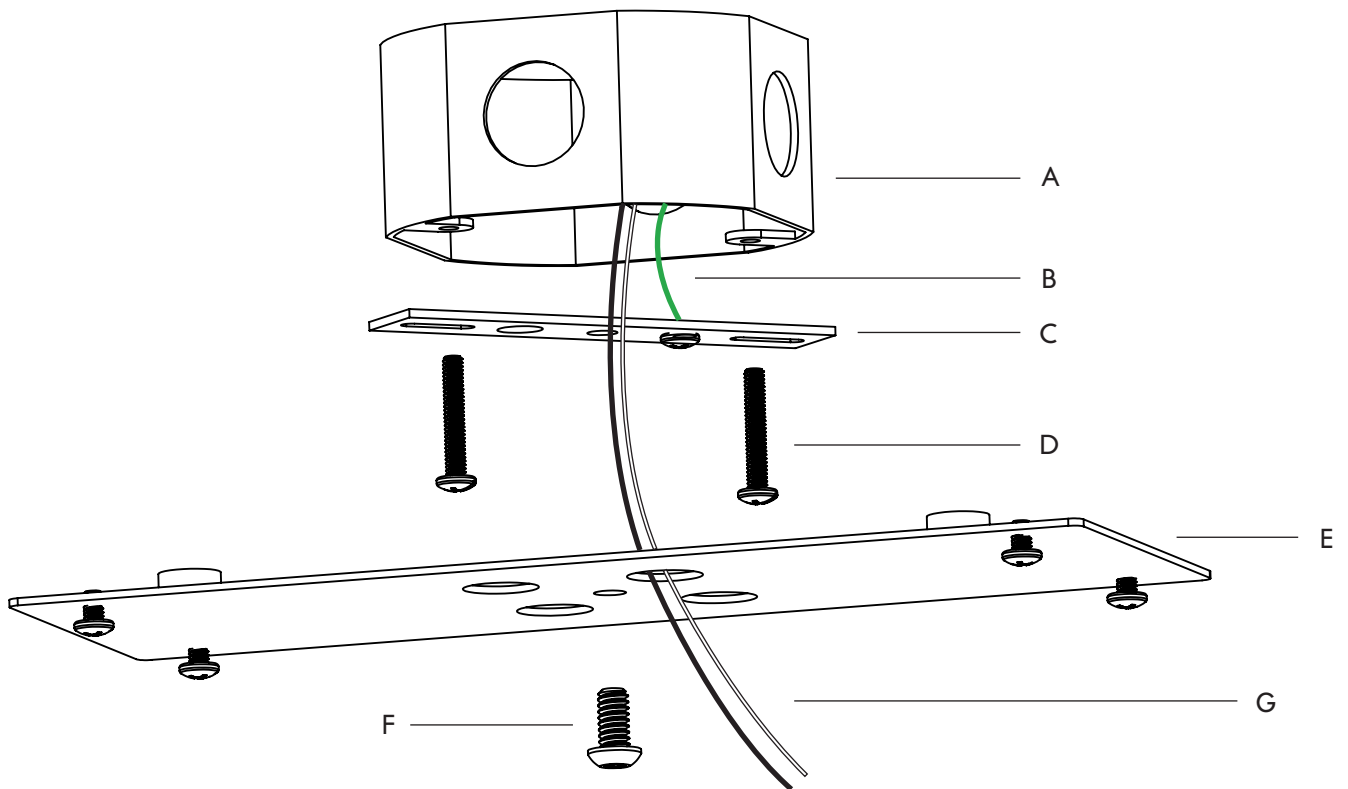
- Only suitable for direct mounting on non-combustible surfaces.
- Under no circumstances can Counterweight Fixtures be mounted on normally flammable surfaces
- Suitable for dry, indoor use only.
- Maximum ambient temperatures: 25° C
- Caution, risk of electric shock ⚠ The light source contained in this luminaire shall only be replaced by the manufacturer or his service agent or a similar qualified person
- If the external flexible cable or cord of this luminaire is damaged, it shall be exclusively replaced by the manufacturer or his service agent or a similar qualified person in order to avoid a hazard.

## COUNTERWEIGHT | CEILING INSTALLATION

---

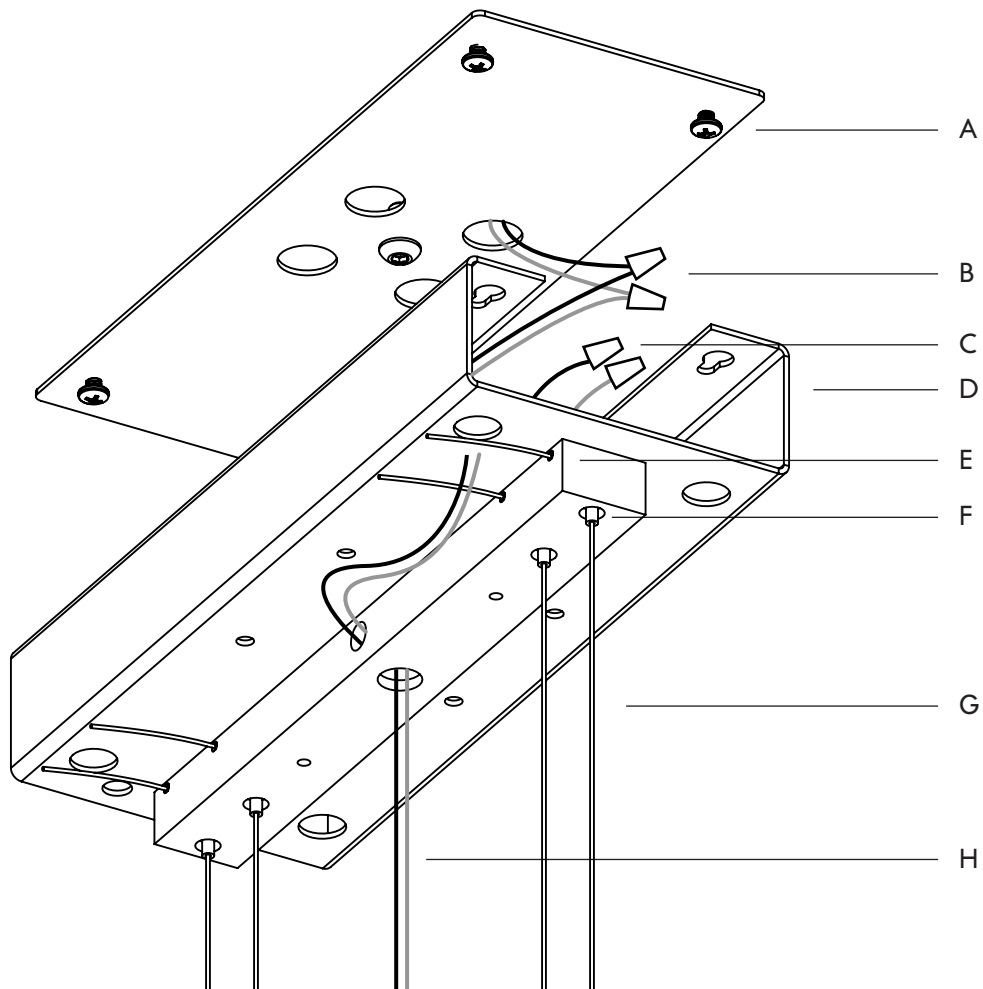
*Note: Please contact a licensed electrician.*

1. Attach the crossbar (C) to the junction box (A) using two provided 8-32 screws (D). Connect ground (B) to crossbar.
2. Lift the hanging plate (E) with the rubber bumpers attached, and secure in place by screwing the provided 1/4-20 (F) screw through the center to the crossbar.
3. Guide the ceiling leads (G) through the hanging plate as shown.



## COUNTERWEIGHT | CEILING INSTALLATION

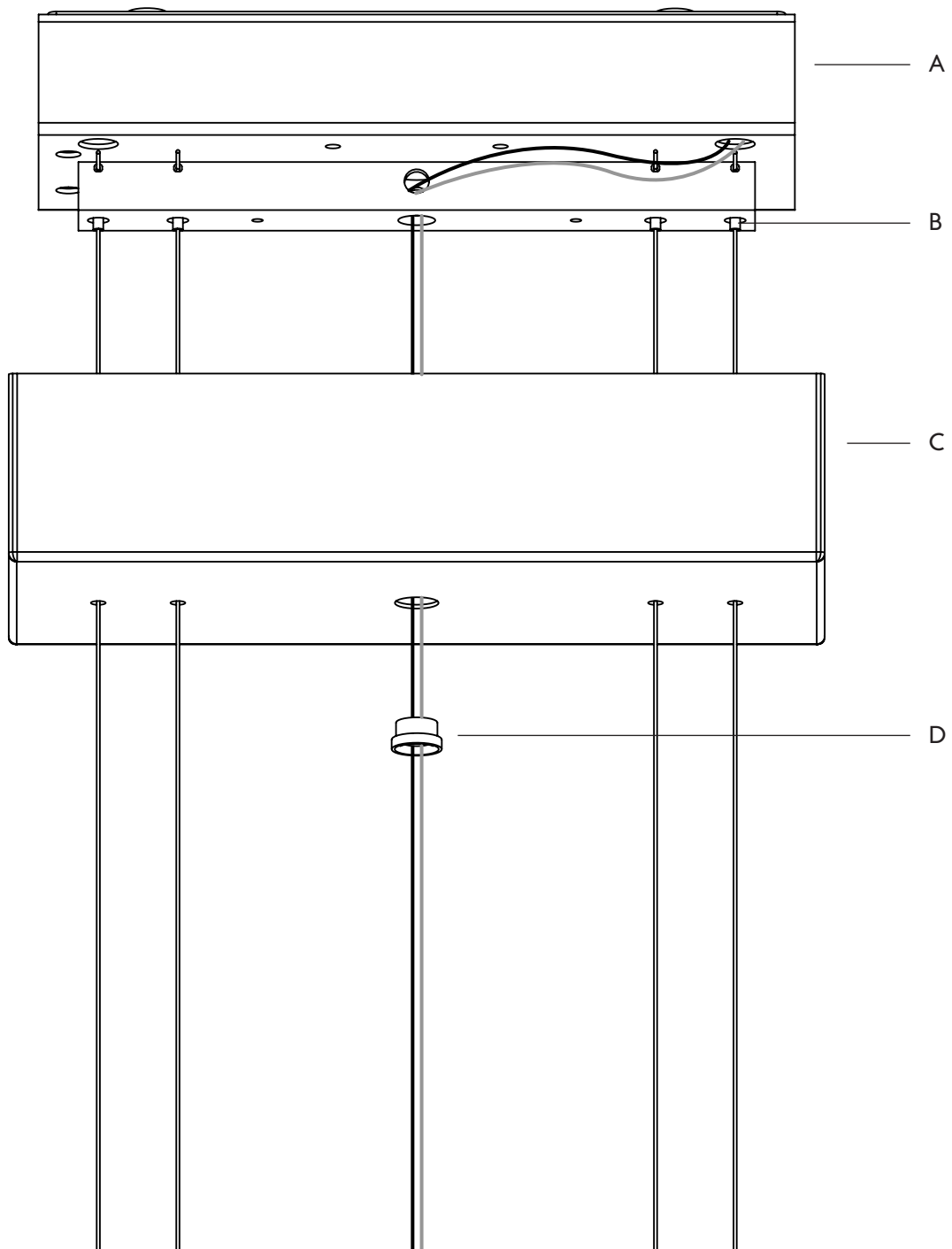
4. Make wire connection (B) from the input of the transformer to the ceiling power. Make sure connection is tucked into empty space in the bar cap (D). Feed output wires (C) from the transformer out the end of the bar cap to be accessible later.
5. Push hanging plate screws (A) into keyhole slots in the bar cap. Tighten hanging plate screws once keyed in utilizing pass through holes.
6. Once fixture is hanging and stable, adjust the height of the fixture and the marble by raising or lowering the aircraft cables (G). The outer two cables are for the fixture and the inner two cables are for the marble. To raise, simply push up on the cable to feed through the griplock plunger (F) and out the side of the mounting block (E). To lower, support the weight of the cable and push in the griplock plunger to release grip on cable. Only raise or lower one cable at a time and make sure to support the weight while doing so.
7. Once the fixture and marble are at the desired height, cut the aircraft cables just after they exit the side of the mounting block to remove excess cable.
8. Feed the electrical wiring (H) up through the hole in the mounting block to release slack caused by adjusting the cable height. Once desired slack is achieved, cut the electrical cable, making sure to leave enough length for the cables to reach and connect to the input connectors. Crimp strain relief onto electrical wiring as it exits the side of the mounting block.



## COUNTERWEIGHT | CEILING INSTALLATION

---

9. Slowly raise canopy (C) over completed assembly (A) and secure with threaded bushing (D).  
Be careful to not press in griplock plungers (B) when raising canopy.



## COUNTERWEIGHT | GLASS ATTACHMENT

---

10. Align the holes of the custom glass with the holes of the standoffs on the fixture.
11. Thread the 8-32 thumb screws with shoulder washers through the glass and into the standoffs.
12. Tighten the thumb nuts until the glass is firmly pressed against the wood of the fixture. Do not over tighten or the glass will have a chance of cracking.

