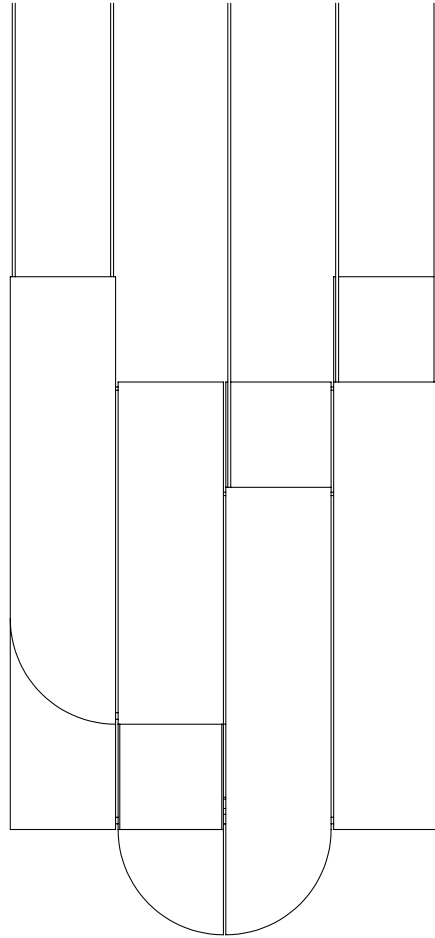
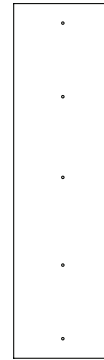


CONTENTS

Cora Eight Pendant



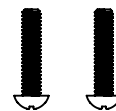
Canopy



1/16" Ball-End
Hex Key



8/32 Junction
Box Screw x2



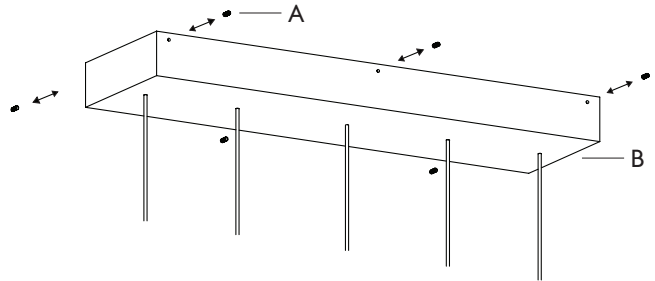
SAFETY INFORMATION

Only suitable for direct mounting on non-combustible surfaces.
Under no circumstances can the fixture be mounted on normally flammable surfaces.
Suitable for dry, indoor use only.
Maximum ambient temperatures: 25° C

CEILING INSTALLATION - CORA

Note: Please contact a licensed electrician.

1) First remove the set screws (A) on the sides of the canopy (B).



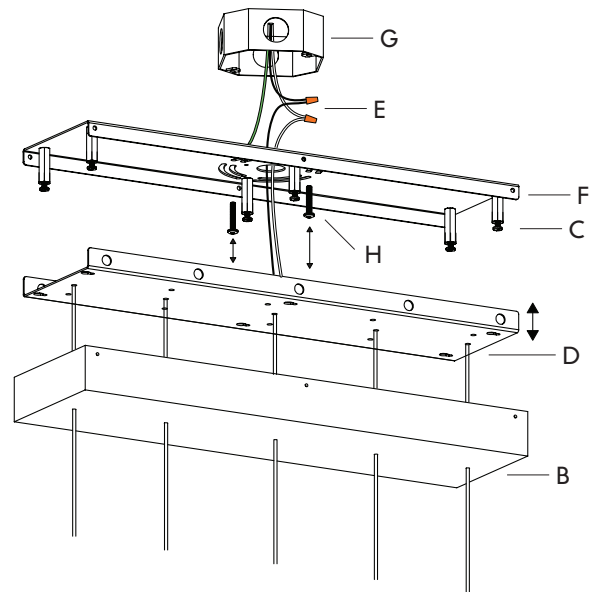
2) Carefully lower the canopy (B) and then loosen the the crossbar plate screws (C) and jog the crossbar plate bottom (D) to the right. (See detail view one.)

3) Carefully lower the crossbar plate bottom (D) through the keyshot holes, along with all the electrical components.

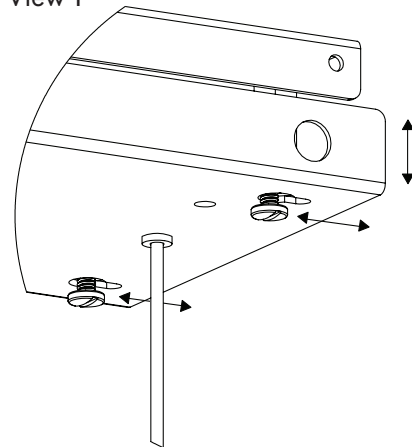
4) Attach the crossbar top (F) to the junction box (G) with 8-32 machine screws (H).

5) Make wire connections (E).

6) Reattach crossbar plate bottom (D) and Canopy (B).



Detail View 1



ADJUSTING HEIGHT - CORA

Note: Please contact a licensed electrician.

- 1) To change the drop of your Cora fixture first loosen the cord collars (A).
- 2) Next, measure out your desired drop length (B) and mark each wire equally with a marker. Take measurements from the top edges of equally high Cora tubes (C).

Note: Cora tubes are staggered at four inch intervals.

- 3) Align each collar with the marks you made on the cords and tighten on collar.
- 4) Any remaining slack should be spooled within the canopy assembly and not cut or trimmed.

