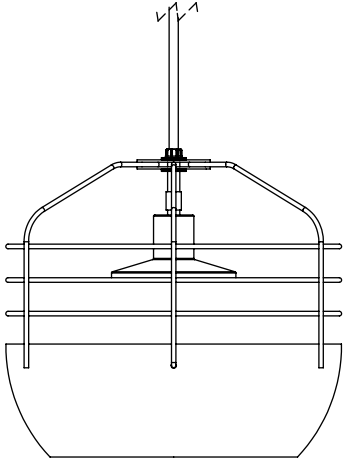
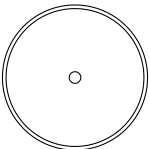


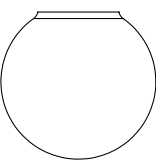
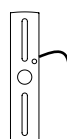




CONTENTS

<p>14" Pendant</p> 	<p>Canopy with Bushing</p> 	<p>#8-32 Screws (2)</p> 	<p>Wire Nuts (3)</p> 
<p>Globe</p> 	<p>Crossbar with Ground Screw and Ground Wire</p> 	<p>1/8 IPS Nipple</p> 	<p>Strain Relief</p> 

SAFETY INFORMATION

Only one light bulb per socket.

Only suitable for direct mounting on non-combustible surfaces.

Under no circumstances can Bluff City Pendants be mounted on normally flammable surfaces.

Suitable for dry or damp locations.

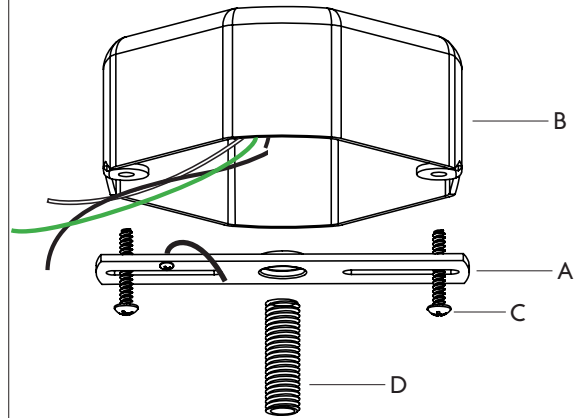
Maximum ambient temperature: 25° C

If the external flexible cable or cord of this luminare is damaged, it shall be exclusively replaced by Roll & Hill or Roll & Hill's service agent or a similarly qualified person in order to avoid hazard.

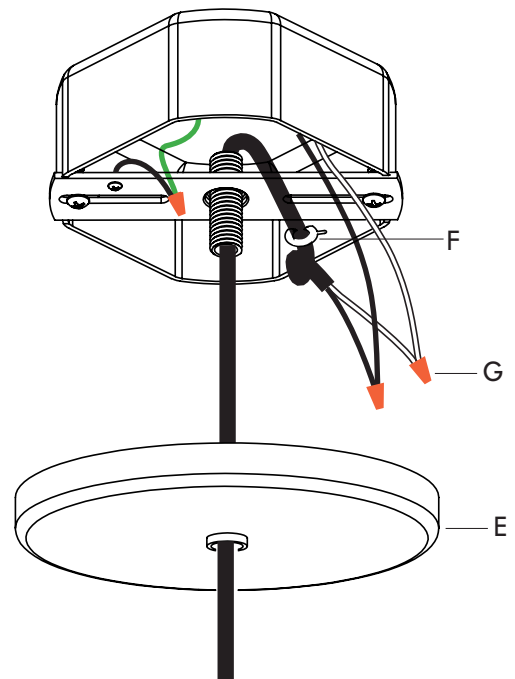
CEILING INSTALLATION

*Note: Please contact a licensed electrician.
Note: Do not use bulbs that exceed 60 watts.
Note: Fixture wire color Brown = White (L)
Blue = Black (N)*

1. Install crossbar (A) to junction box (B) using #8-32 screws (C). It is recommended to pull the main wires out so they are accessible while making the main connection later. Once secure, screw the nipple (D) into crossbar.



2. Cut the electrical cable to desired length and feed through the bushing in the ceiling canopy (E) and the nipple.
3. Tie a knot in the electrical cable above the crossbar and crimp the C shaped strain relief (F) just below the knot.
4. Strip wires and make connections to the leads in the ceiling using provided wire nuts (G). Attach the green ground wire to the crossbar with ground screw and provided wire nut (G).
5. Tuck the connected wires into the junction box. Raise the canopy with attached knurled nut and thread onto nipple, tightening flush to the ceiling.
6. Make sure fixture is powered off before screwing the bulb into the socket.



CEILING INSTALLATION *continued*

6. Loosen the cover nut (H) above the socket cap (I) by screwing counter-clockwise. This raises the socket cap to allow room to insert the globe (J). Tilt the globe so that it fits around the internal fitter (K) and hangs underneath the socket cap. Gently tighten the cover nut to hold the globe in place.

