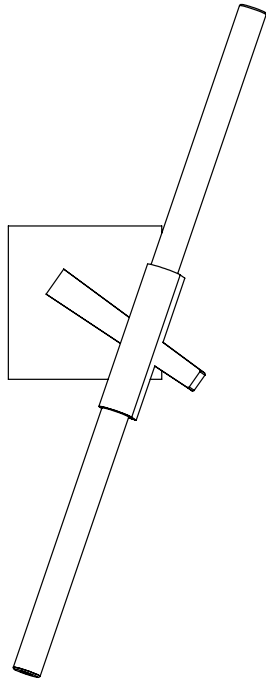
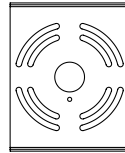


CONTENTS

Agnes 2 Light Sconce



Crossbar



Wire Connectors (2)



Hex Driver



Set Screws (2)



Glass Diffusers (2)



Bulbs (2)



#8-32 Screws (2)



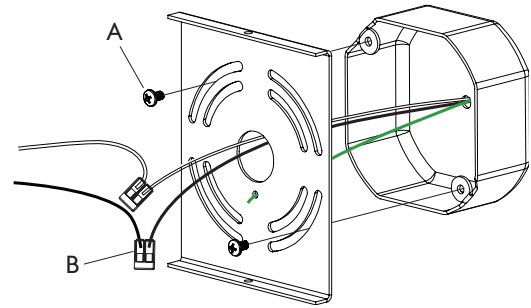
SAFETY INFORMATION

Only one light bulb per socket.
Only suitable for direct mounting on non-combustible surfaces.
Under no circumstances can this fixture be mounted on normally flammable surfaces.
Suitable for dry, indoor use only.
Maximum ambient temperatures: 25° C

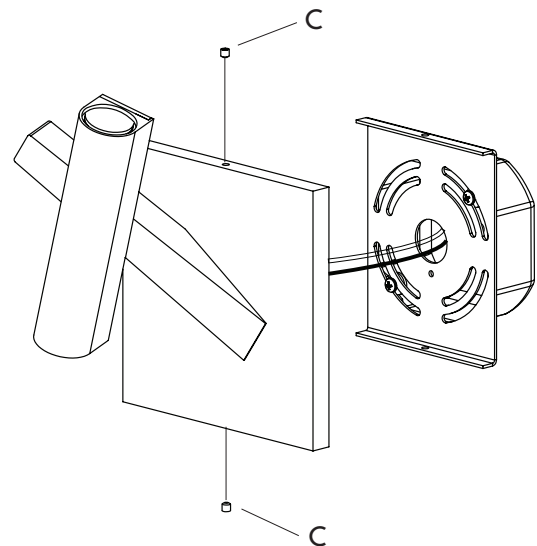
WALL INSTALLATION | AGNES SCONCE

*Note: Please contact a licensed electrician.
Note: Do not use bulbs that exceed 25 watts.*

01. Detach the custom crossbar from the back of the fixture and secure onto the junction box using provided 8-32 screws (A). Make sure electrical wires are pulled out from the center hole.
02. Make electrical connections from junction box wires to sconce (B) (trimming excess wire) while carefully holding fixture. Push the connected wires back through the center hole of the crossbar.



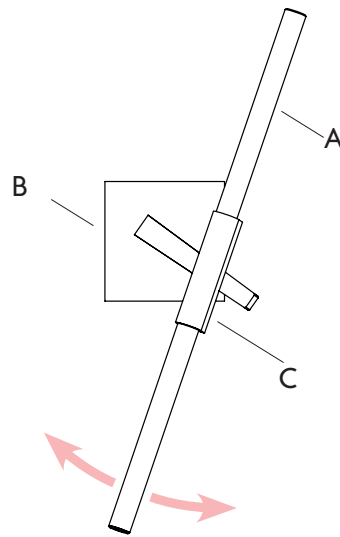
03. Fit the light fixture over the crossbar and secure in place with set screws (C) in the top and bottom of the backplate using the provided hex driver.



ROTATING THE TIPS | AGNES

Note: Make sure to power off fixture and allow bulbs and metal arms to cool.

01. To change angle of the glass (A), hold fixture steady by gripping the Body (B) with one hand, and carefully rotate the cup (C) with the other. The cup rotates up to 90°.



CHANGING THE BULBS | AGNES

Note: Make sure to power off fixture and allow bulbs and metal arms to cool.

01. Carefully unscrew glass (A) from metal cups (D) in counterclockwise direction.
02. Pull the bulb out of the socket and replace.

