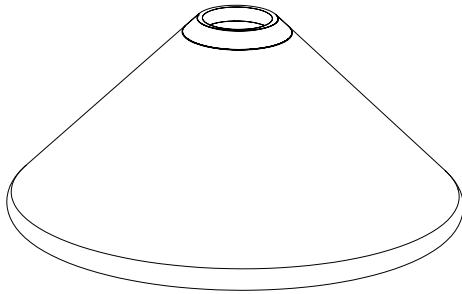
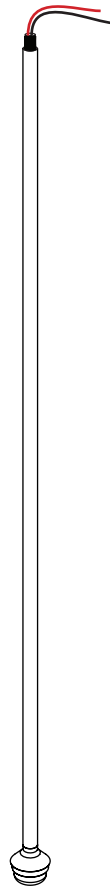


CONTENTS

(x1) Apolo glass



Cover tube with threaded rod and LED socket



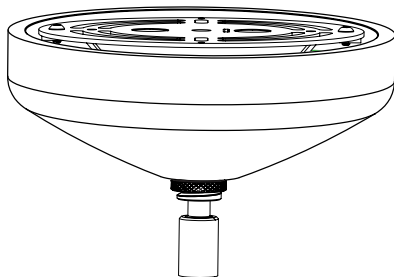
(x7) Wago Connector



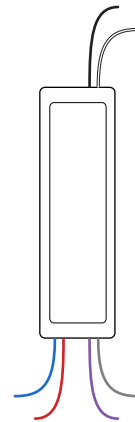
(x2) 8-32 Screw



(x1) Canopy with Crossbar assembly



(x1) Driver



(x2) Metal screw
On 240V fixtures only



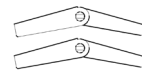
(x2) Long 8-32 screw
On 240V fixtures only



(x2) Wood screw
On 240V fixtures only



(x2) Toggle anchor
On 240V fixtures only



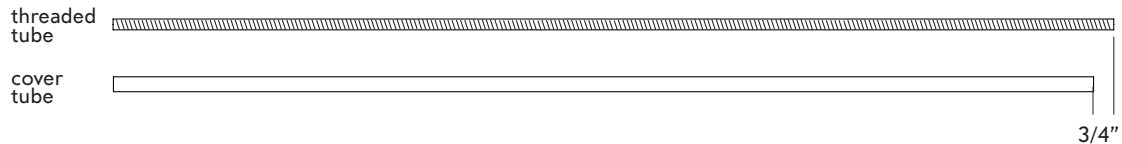
SAFETY INFORMATION

Suitable for damp locations
Maximum ambient temperature: 25°C

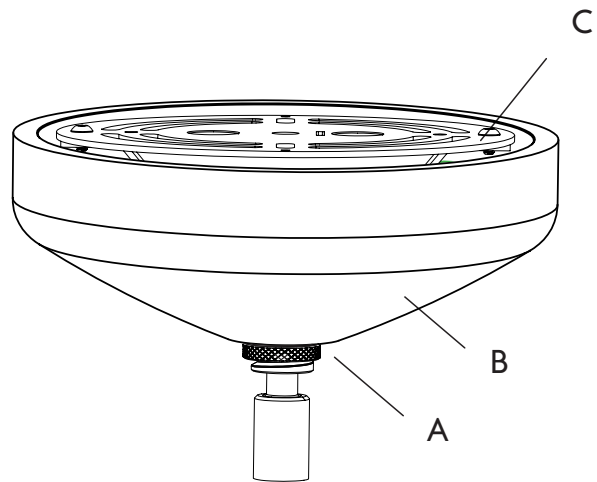
APOLLO PENDANT-STEM | INSTALLATION

Note: Please contact a licensed electrician for installation. Ensure power is off during installation.

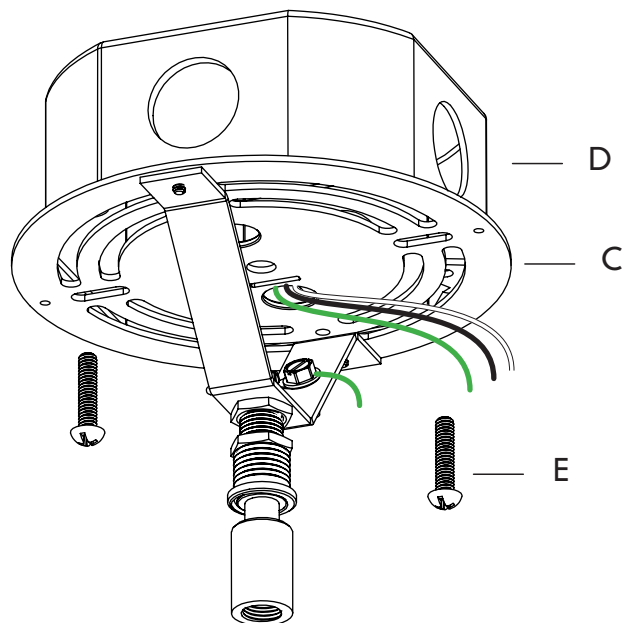
01. To customize the length of the provided 36-inch stem, cut cover tube to desired length. Then cut the inner threaded tube so that it remains 3/4" longer than the cover tube.



02. Unscrew the hang-straight nut (A) from the canopy (B) with crossbar assembly (C).

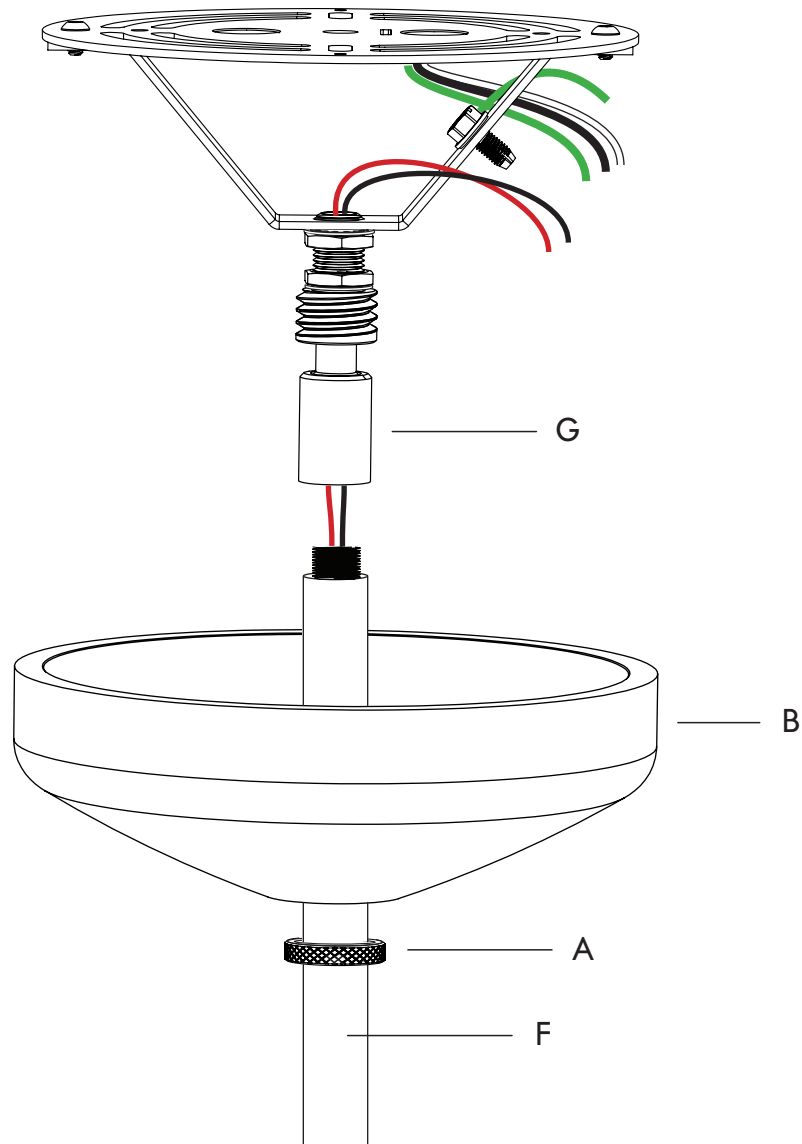


03. Raise the crossbar assembly (C) to junction box (D), and secure with #8-32 screws (E). Be sure to pull out the wires from the junction box, through the hole in the cross bar.



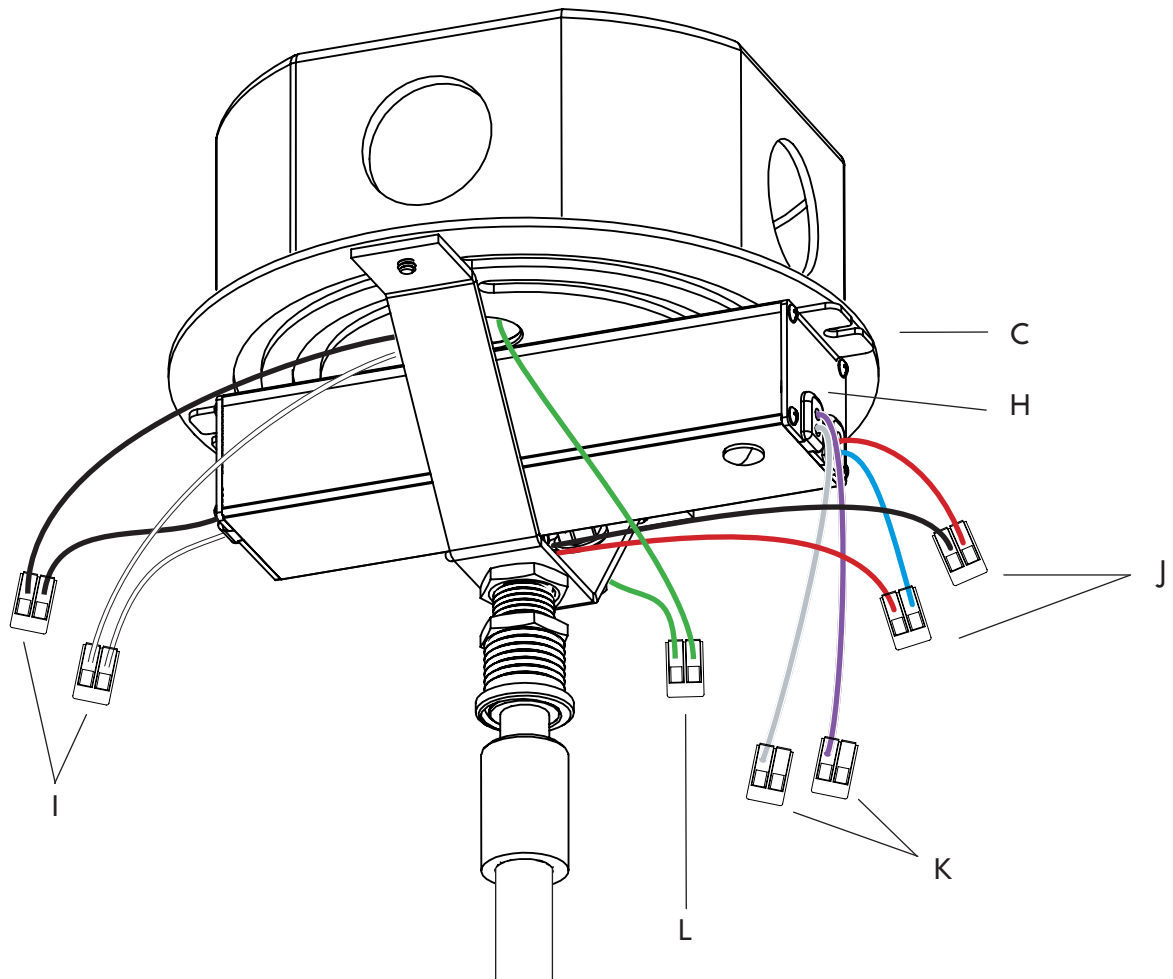
APOLLO PENDANT-STEM | INSTALLATION

04. Slide the hang-straight nut (A) and canopy (B) down the stem (F).
05. Then feed the black and red wires from the fixture, through the hang-straight (G), and screw in the threaded stem into hang-straight.



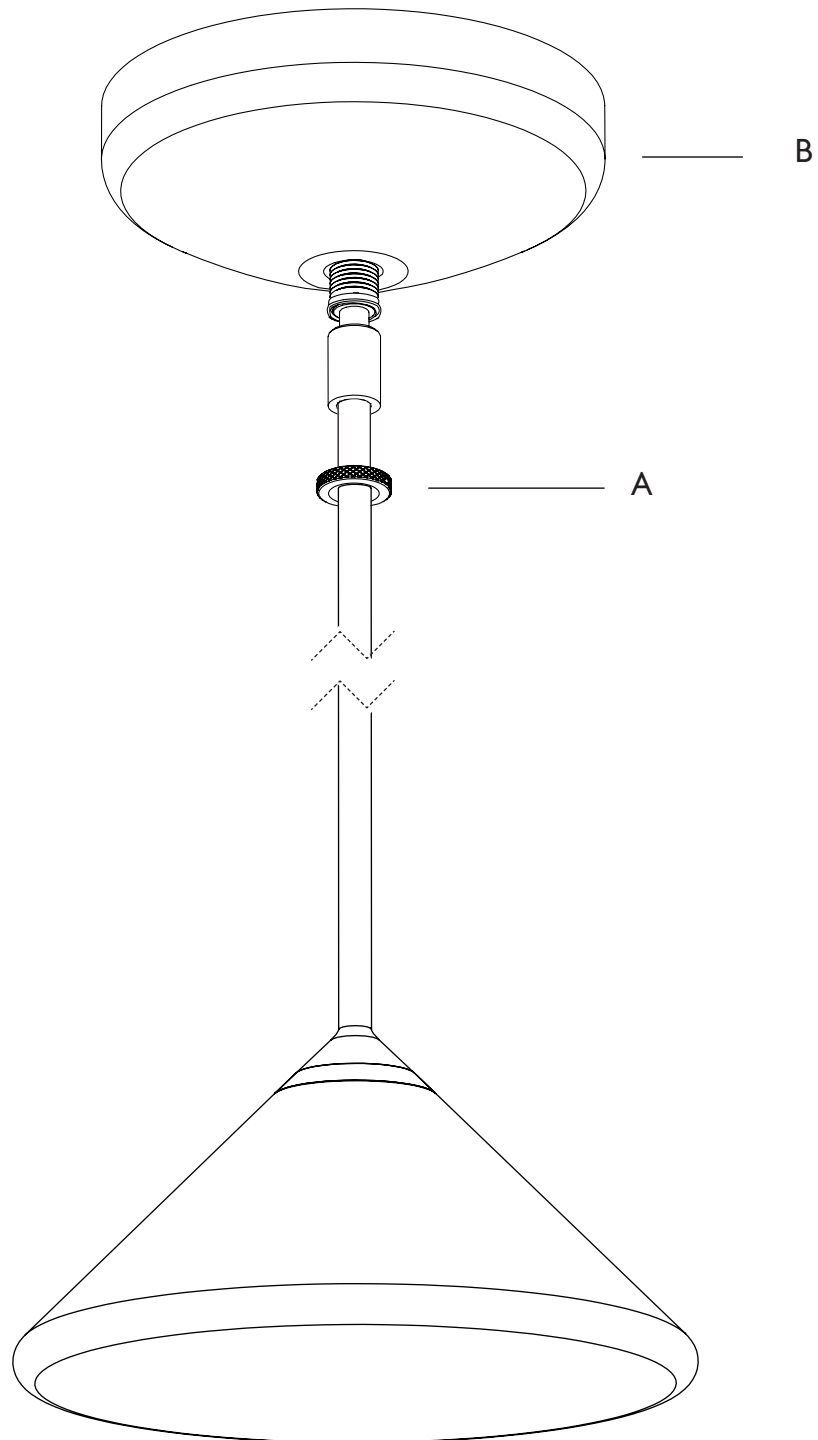
APOLLO PENDANT-STEM | INSTALLATION

06. Fit the driver (H) into the space in the crossbar assembly (C).
07. Make the electrical connections between the lead AC wires and the driver using the provided wago connectors (I).
08. Connect the secondary wires to the fixture using the provided wago connectors (J)
(Optional: Connect the 0-10V dimming wires (K) as needed)
09. Connect the ground wire (L) with the provided wago connector.
10. Tuck all wires into the crossbar assembly.



APOLLO PENDANT-STEM | INSTALLATION

11. Once all the wires are connected and tucked in, raise the canopy (B) over the crossbar assembly, and secure it with the hang-straight nut (A).



APOLLO PENDANT-STEM | INSTALLATION

12. Then carefully thread the glass diffuser (M) onto the stem with LED.

